

SRA975PGH

SMEG PANNA ENAMEL VICTORIA GAS COOKTOP



DESIGN AND MAINTENANCE

The seamless hob design allows for easy wipe-over cleaning and generous catchment of spills and accidental boilovers. The control knobs, also, are

removable for cleaning access. Trivets, burner assemblies and wok stand can be washed in warm soapy water.

60cm INSTALLATION

Despite occupying nearly 70cm bench space, the installed specification into the bench is only 56cm. This allows easy fitment into predesigned standard 60cm cabinetry and is suitable for much of the replacement gas cooktop market.

DUAL FLAME CONTROL

With individual control to each ring of flame, the ultra-rapid double burner cooking zone can selectively be used as another rapid burner with the larger outer flame (14 Mj/hr maximum) or, for the ultimate low simmer, use the inner flame ring exclusively (4.8 Mj/hr maximum). This exclusive centre burner is also perfect for the smallest of utensils, such as a one-cup espresso maker.

AUXILIARY BURNER

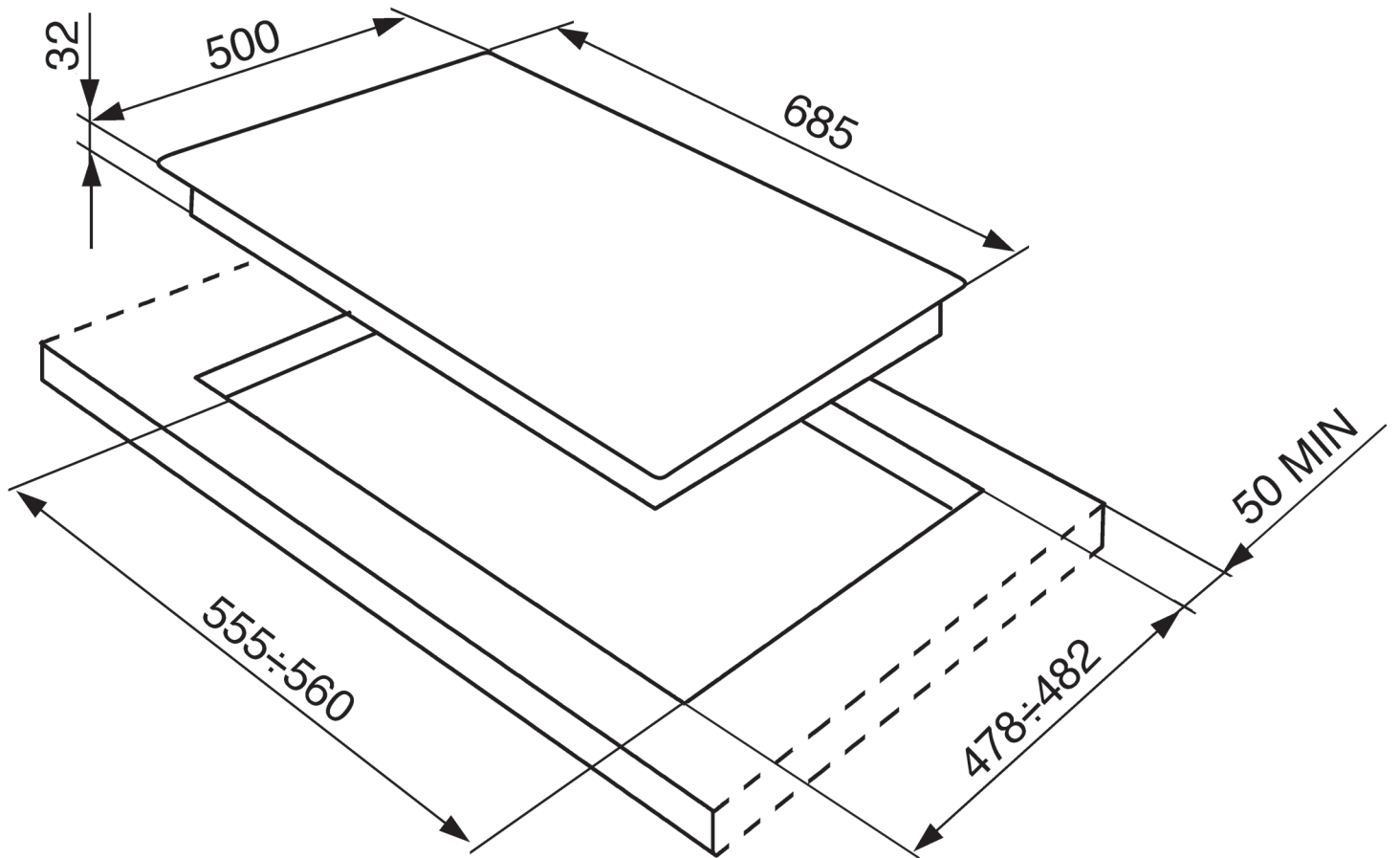
Also ideally situated, this small multipurpose burner is designed to accommodate even the smallest of utensils, such as a coffee percolator or one-cup espresso maker.

SIMMER CONTROL

All burners, including the ultra-rapid triple burner, can be adjusted down to a very low, safe flame for the gentlest of low heat simmers.

EAN 8017709209940

finish	Panna (cream) enamel
Size	685mmW x 500mmD x 32mmH
Cutout size	560mmW x 482mmD
installation	Topmount
capacity	Front right – 6.0 Mj/hr Front left – 4.8 Mj/hr Centre – inner 4.8 Mj/hr outer 14 Mj/hr Back right – 6.0 Mj/hr Back left – 11.5 Mj/hr
ignition	Automatic electronic
gas connection	Fitted for natural gas: regulator supplied adaptable for ULPG: no regulator required
power	220-240 V 50/60Hz 10A
safety	Flame failure device (FFD) fitted to each burner
features	Cast iron trivets
Included accessories	Pan stand
option	none
Warranty	Two years parts and labour



PLEASE NOTE: drawings are not to scale. They are to assist only.

WARNING: technical specifications and product sizes can be varied by the manufacturer without notice.

Cutouts for appliances should only be by physical product measurements. The above information is indicative only.