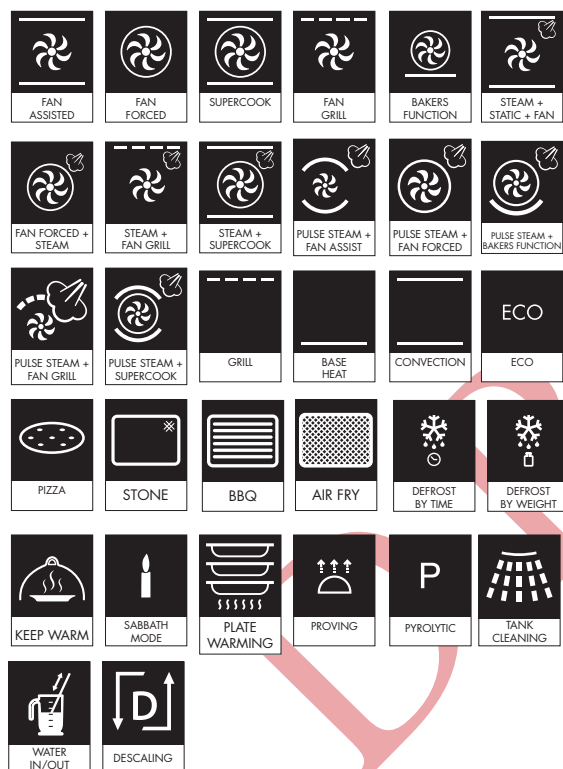
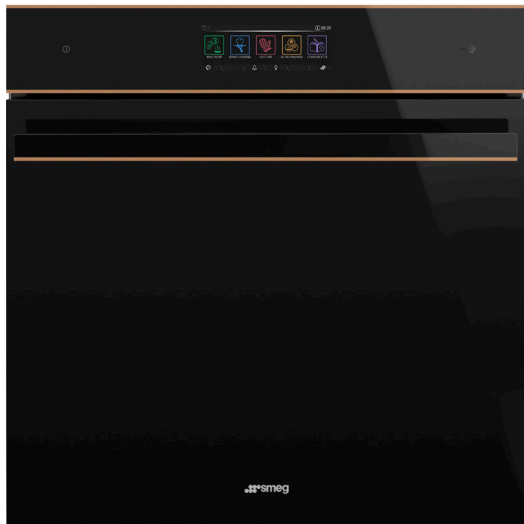


SOPA6606S2PNR
60CM DOLCE STIL NOVO
PYRO STEAM40 OVEN

MADE IN ITALY
Since 1948



PYRO STEAM

The perfect mix of convenience and performance. Convenience through pyrolytic cleaning offers minimum effort for maximum cleaning results. The environmentally friendly way to clean your oven without the use of chemicals. Performance through steam cooking which delivers 20-40% pulsed steam to unlock the great results and healthier results of steam cooking.

SMART COOKING

Become an adventurous cook with over 150 auto programs. Nothing is too difficult to prepare and let the oven do the work for you. Hobby cooks can save 10 of their favourite recipes which can be called up at the touch of a button.

MULTI STEP

Set and forget cooking. Pre set up to three different steps before you start cooking to allow for utmost versatility to achieve the perfect finish.

SAME TIME COOKING

Coordinate everything being ready at the same time with same time cooking. Select up to three dishes all with different baking times and the oven will tell you when to add each dish, when the dish will be ready and how long left for your meal to be ready.

EAN	8017709320850
Dimensions	597mmW x 592mmH x 548mmD (excludes door and handle)
Finish	Black eclipse glass with copper trim
Cooking functions	22
Other functions	10
Automatic Programmes	150

SOPA6606S2PNR

60CM DOLCE STIL NOVO PYRO STEAM40 OVEN

MADE IN ITALY
Since 1948

OVEN FEATURES

Dimensions	597mmW x 592mmH x 548mmD (excludes door and handle)
Finish	Black eclipse glass with copper trim
Cooking functions	22
Other functions	10
Automatic programmes	150
Display	VivoScreen Max
Gross Volume	78L
Net Volume	68L
Tank capacity	0.8L
Cooking levels	5
Thermostat	30 - 280°C
Cooking with probe	Yes
DeltaT Cooking	Yes
SameTime	Yes
Instant GO	Yes
Installation	Built-in
Programmability	Fully programmable
Cleaning	Pyrolytic
Lighting	2 x 40W Halogen
Safety	Thermal protection system, child safety lock, controls lock
Timer	Delay start and automatic end cooking 3 x Minute minder
Rapid pre-heat	Yes
Door	Soft open and close
Power	220–240V, 50/60Hz 3000W 15A Connection
Warranty	Five years parts and labour

OVEN FUNCTIONS



SUPPLIED ACCESSORIES

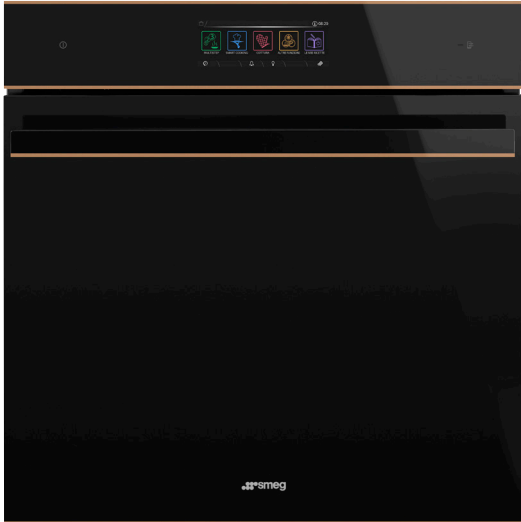
- 1 x Chrome grill insert
- 1 x Chrome shelves
- 1 x 20mm enamelled baking tray
- 1 x 50mm enamelled baking tray
- 1 x Full telescopic guides
- 1 x Multipoint temperature probe
- Water loading kit

OPTIONAL ACCESSORIES

- ET20 - 20mm enamelled baking tray
- ET50 - 50mm enamelled baking tray
- GTP2 - Partial telescopic guides
- GTT2 - Total telescopic guides
- BBQ - Double sided teflon coated aluminum BBQ tray
- AIRFRY - Air fry rack
- STONE - Refractory square stone
- PALPZ - Pizza paddle with fold away handle

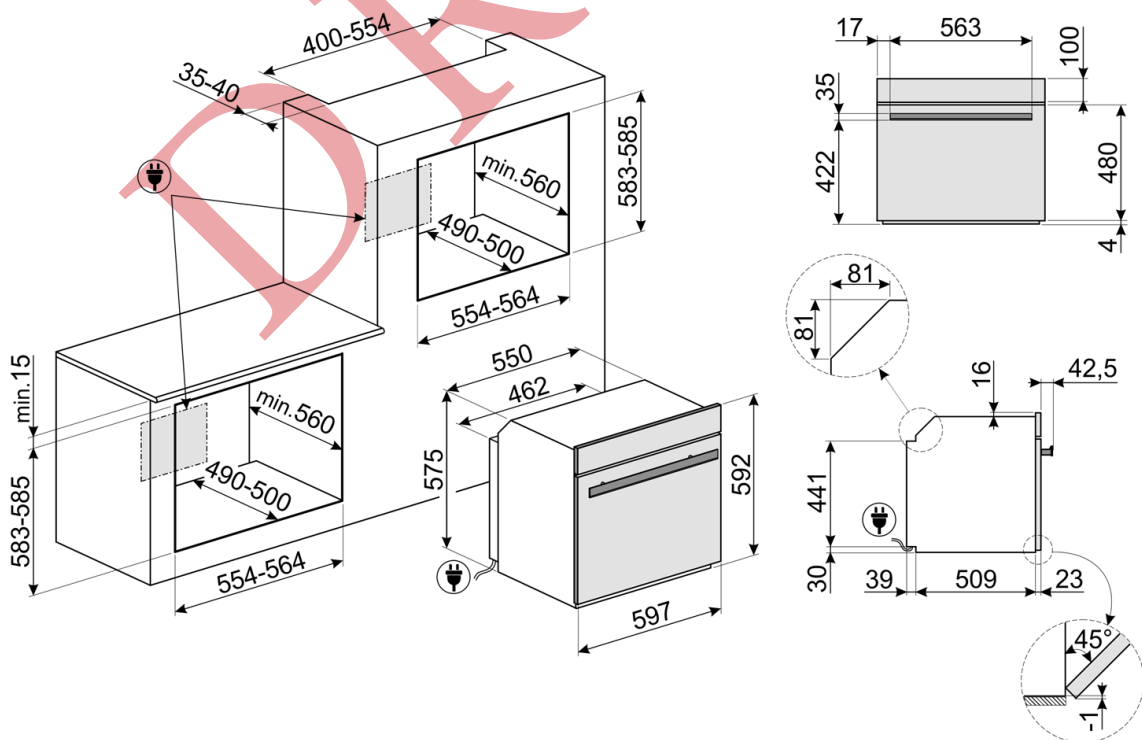
SOPA6606S2PNR
60CM DOLCE STIL NOVO
PYRO STEAM40 OVEN

MADE IN ITALY
Since 1948



Dimensions 597mmW x 592mmH x 548mmD
(excludes door and handle)

Power 220-240V, 50/60Hz
3000W
13A Connection



PLEASE NOTE: drawings are not to scale. They are to assist only.
WARNING: technical specifications and product sizes can be varied by the manufacturer without notice.
Cutouts for appliances should only be by physical product measurements. The above information is indicative only.