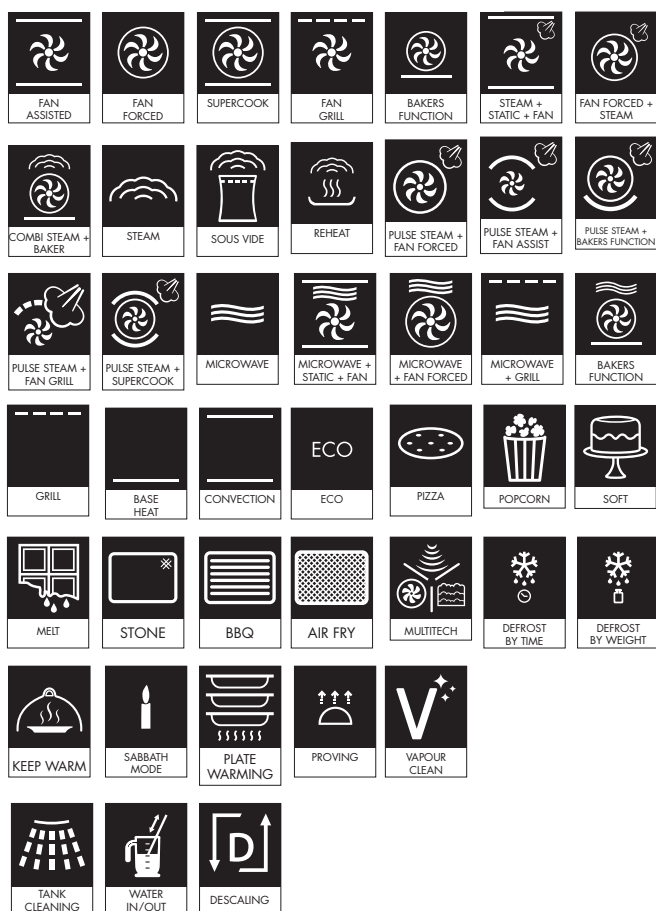


# SOA6606APNR

## 60CM DOLCE STIL NOVO OMNICHIEF OVEN

MADE IN ITALY  
Since 1948



### OMNICHIEF 7 IN 1 COOKING TECHNOLOGY

Reimagine what is possible to create in your SMEG OmniChef - the ultimate multi cooking experience. Combining a possible 7 cooking combinations with professional algorithms and an intuitive colour TFT screen, OmniChef is your most powerful companion in the kitchen. Microwave, full steam and traditional cooking can be used individually, in sequence or simultaneously to allow for everything from fast, simple cooking to push your cooking limits with more complex dishes.

### SMART COOKING

Become an adventurous cook with over 150 auto programs. Nothing is too difficult to prepare and let the oven do the work for you. Hobby cooks can save 10 of their favourite recipes which can be called up at the touch of a button.

### MULTI STEP

Set and forget cooking. Pre set up to three different steps before you start cooking to allow for utmost versatility to achieve the perfect finish.

### SAME TIME COOKING

Coordinate everything being ready at the same time with same time cooking. Select up to three dishes all with different baking times and the oven will tell you when to add each dish, when the dish will be ready and how long left for your meal to be ready.



EAN	8017709320843
Dimensions	597mmW x 592mmH x 548mmD (excludes door and handle)
Finish	Black eclipse glass with copper trim
Cooking functions	32
Other functions	10
Automatic Programmes	150

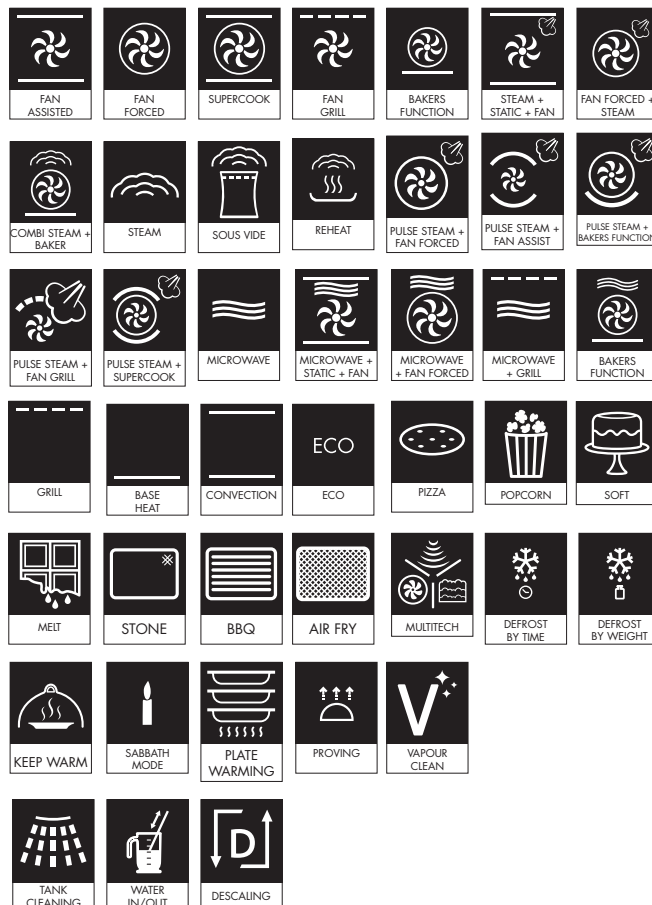
# SOA6606APNR

## 60CM DOLCE STIL NOVO OMNICHIEF OVEN

MADE IN ITALY  
Since 1948

### OVEN FEATURES

Dimensions	597mmW x 592mmH x 548mmD (excludes door and handle)
Finish	Black eclipse glass with copper trim
Cooking functions	32
Other functions	10
Automatic programmes	150
My Recipes	10 Saved Recipes
Display	VivoScreen Max
Gross Volume	78L
Net Volume	68L
Microwave Wattage	900W
Steam Type	Pulsed 1-2-3 Manual Continuous 20% - 100%
Tank capacity	2L
Cooking levels	5
Thermostat	25 - 250°C* *Proving 25°C
Cooking with probe	Yes
Multistep	3 Steps
DeltaT Cooking	Yes
SameTime	Yes
Instant GO	Yes
Installation	Built-in
Programmability	Fully programmable
Cleaning	Vapour clean
Lighting	2 x 5W LED
Safety	Thermal protection system, child safety lock, controls lock
Timer	Delay start and automatic end cooking 3 x Minute minder
Rapid pre-heat	Yes
Door	Soft open and close
Power	220-240V, 50/60Hz 3000W 15A Connection
Warranty	Five years parts and labour



### OPTIONAL ACCESSORIES

- BX640 - Stainless steel tray for steam
- BX640P - Stainless steel perforated tray for steam
- BX640PL - Wide stainless steel perforated tray for steam
- ET20 - 20mm enamelled baking tray
- ET50 - 50mm enamelled baking tray
- GTP2 - Partial telescopic guides
- GTTV2 - Full telescopic guides
- BBQ - Double sided teflon coated aluminum BBQ tray
- AIRFRY - Air fry rack
- STONE - Refractory square stone
- PALPZ - Pizza paddle with fold away handle

### SUPPLIED ACCESSORIES

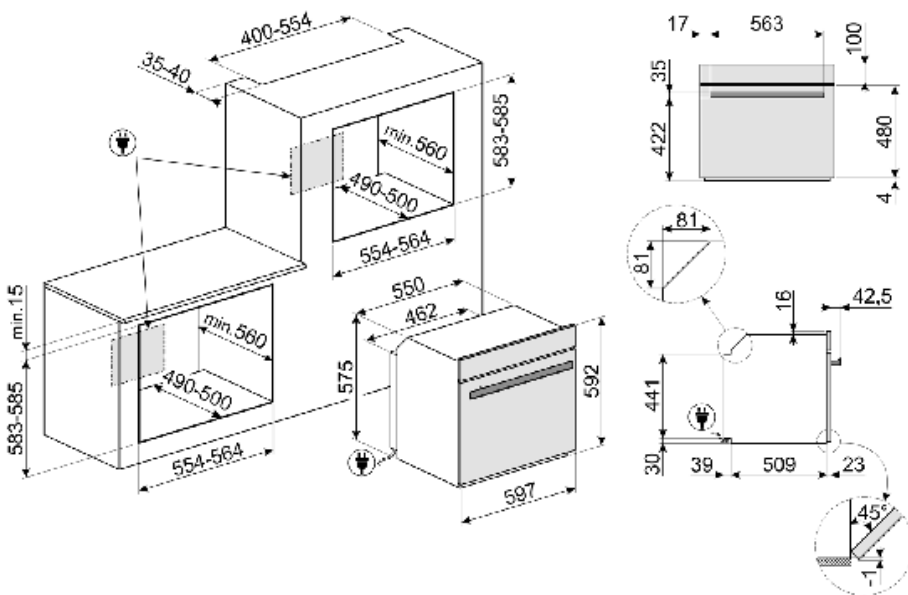
# SOA6606APNR

## 60CM DOLCE STIL NOVO OMNICHIEF OVEN

MADE IN ITALY  
Since 1948



Dimensions	597mmW x 592mmH x 548mmD (excludes door and handle)
Power	220-240V, 50/60Hz 3000W 15A Connection
Warranty	Five years parts and labour
Ventillation requirements	Column: Top rear 35-40mm opening Underbench: Bottom 60mm opening



PLEASE NOTE: drawings are not to scale. They are to assist only.  
WARNING: technical specifications and product sizes can be varied by the manufacturer without notice.  
Cutouts for appliances should only be by physical product measurements. The above information is indicative only.