

SHB450X

smeg 45cm wallmount rangehood



EAN 9345025000811

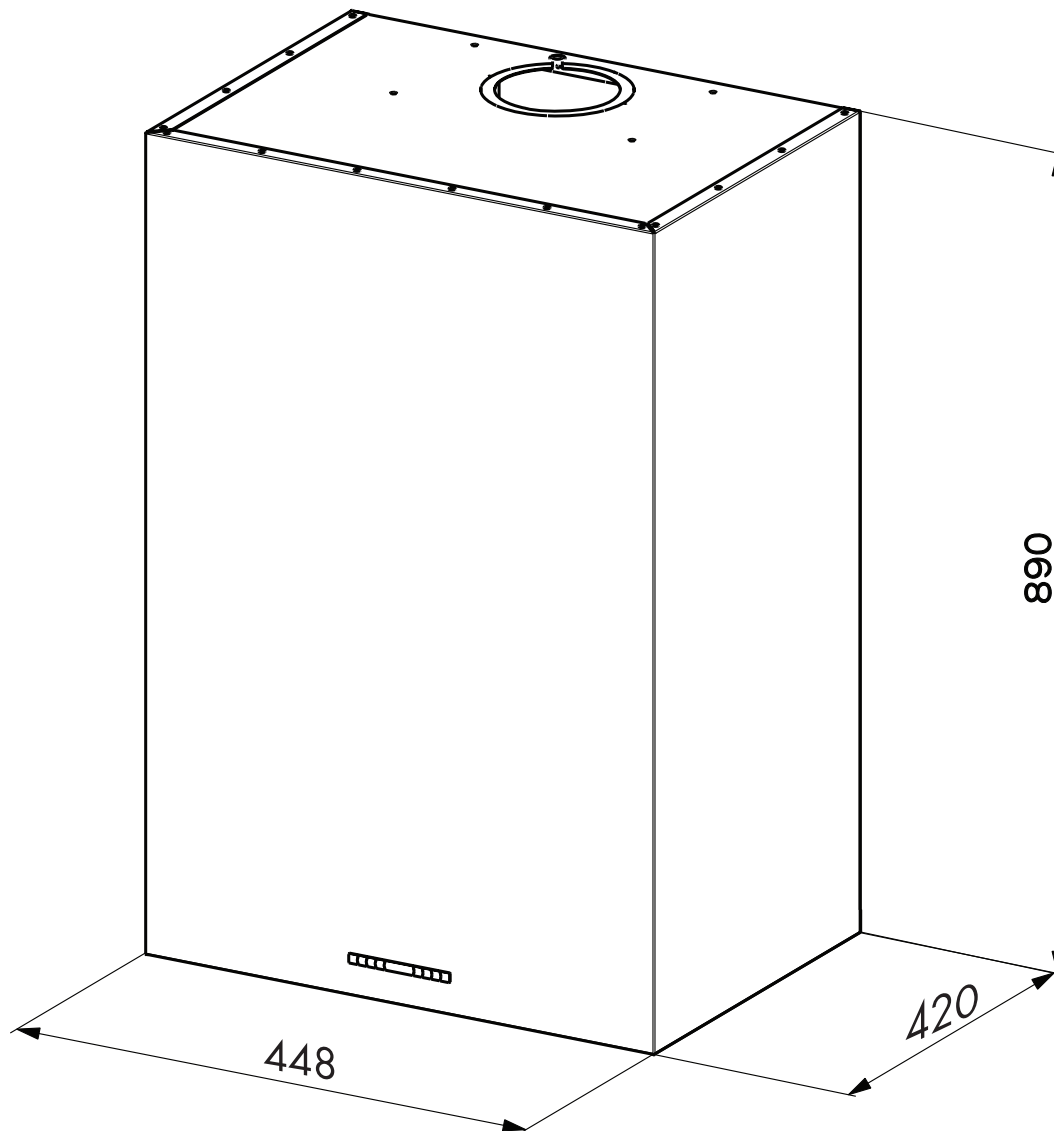
finish	stainless steel
dimensions	448mmW x 420mmD x 890mmH
installation	wallmount
motor	1 x 250W
air extraction	<ul style="list-style-type: none"> <li>• duct direct to atmosphere — 150mm diameter ducting required</li> <li>• recirculate to kitchen — 125mm ducting required</li> </ul>
capacity	710m <sup>3</sup> /hr (IEC 61591: p=0) 675m <sup>3</sup> /hr (IEC 61591: p=1)
noise rating	43–65 dBA (IEC 607048)
illumination	2 X 20w halogen globes
speeds	3 + intensive*, progressive button
maximum current	0.17 amps
power supply	220–240V, 50Hz
supplied	1 x mesh grease filter
optional	charcoal filter, part # KITFC161
weight	23.4kg gross, 16.9kg net
package dimensions	615x995x540mm

p = 0 → airflow direct out of motor housing  
p = 1 → airflow after 1m & 90° bend + 1m

**\*INTENSIVE:** the Intensive Speed function activates maximum air extraction for 10 minutes to meet the needs heavy-duty cooking, such as stir-fry.

SHB450X

smeg 45cm wallmount rangehood



**PLEASE NOTE: drawings are not to scale. They are to assist only.**