

SFRA9300X
90CM CLASSIC THERMOSEAL OVEN



THERMOSEAL

The seal of Smeg's quality, technical excellence and taste: succulent roasts, crisp pastry and impressive baking is achieved in Smeg's unique, perfectly controlled cooking environment. Thermo seal maintains the perfect atmospheric balance in the cavity for optimum cooking conditions.



EVER CLEAN ENAMEL

The superior quality of Smeg's patented Ever Clean enamel, which is highly durable and easy to clean, is the result of nearly 70 years of enameling expertise; ensuring long-life performance of every Smeg oven.



COOL DOOR TECHNOLOGY

Smeg's Cool Door system is a combination of technologies which is driven by a 22 blade tangential fan and includes a heat exchange baffle system. It draws cool air up through the panes of heat-reflective glass in the door, making it safe to the touch even when the oven is at pyrolytic temperatures of around 500°C.



VAPOUR CLEAN

Smeg's Ever Clean enamel's tough surface has a glassy finish, so a simple spray of water and detergent around the cavity in conjunction with the Vapour Clean option will generate heat and steam to soften any grease for a wipe-clean result.

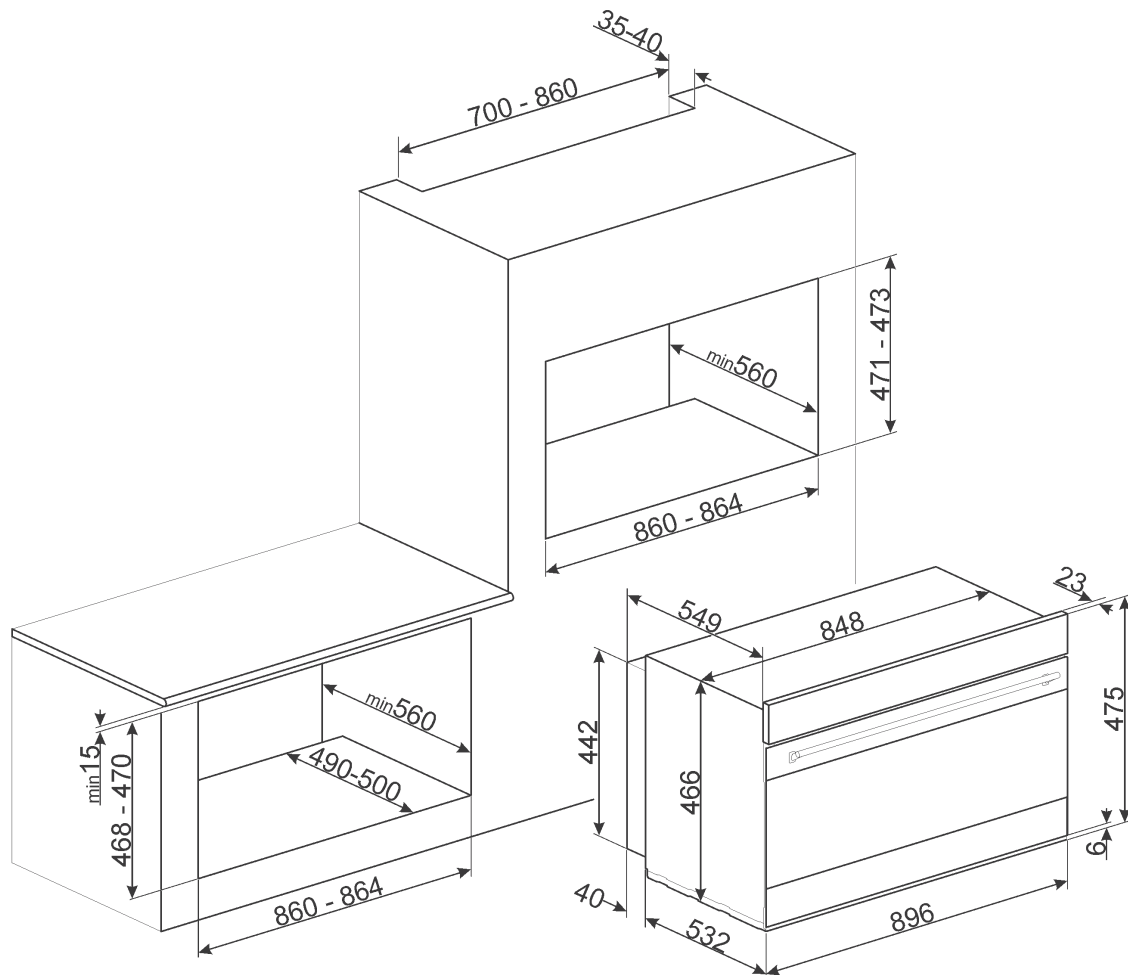
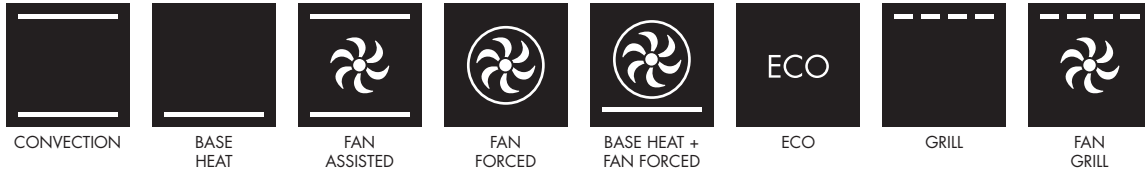
EAN 8017709260019

Dimensions	896mmW x 481mmH x 572mmD
Finish	Fingerprint proof stainless steel, Eclipse high visibility black glass
Interior finish	Ever Clean enamel
Total functions	8 functions
Auto menus	no
Display	Text on panel
Capacity	100L
Cooking levels	4
Thermostat	30 - 280°C
Installation	Built-in
Programmability	Fully programmable
Cleaning	Vapour Clean
Lighting	2 x 40W halogen
Supplied accessories	1 x Chrome shelves 1 x Chrome grill insert 1 x 40mm enamelled baking tray
Optional accessories	PPR9 - Pizza Stone PALPZ - Single-handle pizza paddle
Safety	Cool Door technology, thermal protection system
Power	220-240V, 50/60Hz 3100W 15A Connection
Warranty	Two years parts and labour

SFRA9300X

90CM CLASSIC THERMOSEAL OVEN

Functions



PLEASE NOTE: drawings are not to scale. They are to assist only.
 WARNING: technical specifications and product sizes can be varied by the manufacturer without notice.
 Cutouts for appliances should only be by physical product measurements. The above information is indicative only.