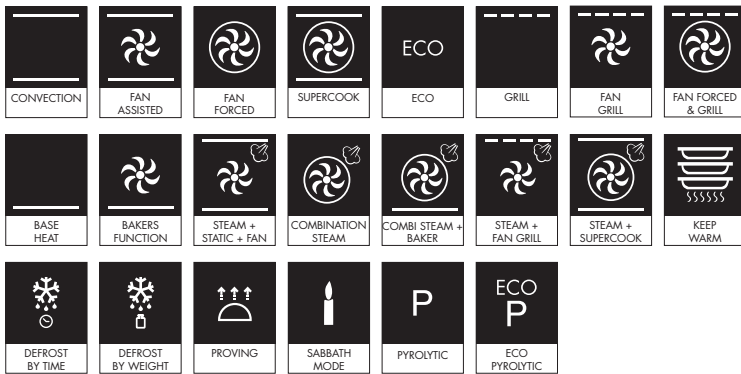


SFPA6604STNX

60CM DOLCE STIL NOVO THERMOSEAL PLUS
PYROLYTIC OVEN WITH STEAM ASSIST

MADE IN ITALY

Since 1948



THERMOSEAL PLUS

Three levels of steam injection offer greater cooking versatility and results. Cooking is elevated to professional status; meat and fish remain succulent, pastry is crisp and bread is cooked with a golden crust.

SMARTSENSE PLUS

Smeg's SmartSense Plus provides a foolproof, step-by-step guide to cooking. The large TFT colour display is clearly legible and simple to follow. SmartSense Plus also has 50 guided cooking programs and you can also save 10 of your most-used favourites.

PYROLYTIC CLEANING

Smeg's pyrolytic cycle locks the door and heats the oven to around 500°C. This process carbonises food residue or burnt-on grease to a small amount of ash, which can be simply wiped away. Smeg also has Eco Pyro – to reduce energy consumption.

SOFT CLOSE DOOR

The new soft-close mechanism on Smeg's oven doors ensures a two-stage soft and quiet close. Smeg's quality hinges also ensure the door will not drop on opening, an intrinsic safety feature.

EVER CLEAN ENAMEL

The superior quality of Smeg's signature Ever Clean enamel, which is highly durable and easy to clean, is the result of nearly 70 years of enameling expertise; ensuring long-life performance of every Smeg oven.

Dimensions	597mmW x 548mmD x 592mmH
Finish	Black eclipse glass with stainless steel trim
Total functions	22 + 50 SmartSense Plus auto menus incl. Sabbath mode, defrost, proving and keep warm
Warranty	Five years parts and labour

Colours Available



SFPA6604STNR
Copper Trim



SFPA6604STNX
Stainless Steel Trim



SFPA6604STNX

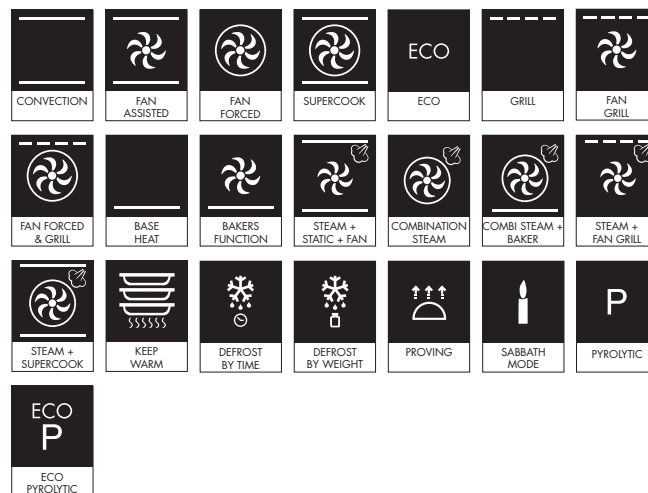
60CM DOLCE STIL NOVO THERMOSEAL PLUS PYROLYTIC OVEN WITH STEAM ASSIST

MADE IN ITALY
Since 1948

OVEN FEATURES

Dimensions	597mmW x 548mmD x 592mmH
Finish	Black eclipse glass with stainless steel trim
Total functions	22 + 50 SmartSense Plus auto menus incl. Sabbath mode, defrost, proving and keep warm
Auto menus	50 SmartSense Plus menus
Display	Colour Touch TFT
Cavity	Ever Clean Enamel
Capacity	79L
Cooking levels	5
Thermostat	30-280°C
Installation	Built-in
Programmability	Fully programmable
Cleaning	Pyrolytic / ECO Pyrolytic
Lighting	2 x 40W halogen
Safety	Cool Door technology, thermal protection system, child safety lock, controls lock
Power	220-240V, 50/60Hz 3000W 13A Connection
Warranty	Five years parts and labour

OVEN FUNCTIONS

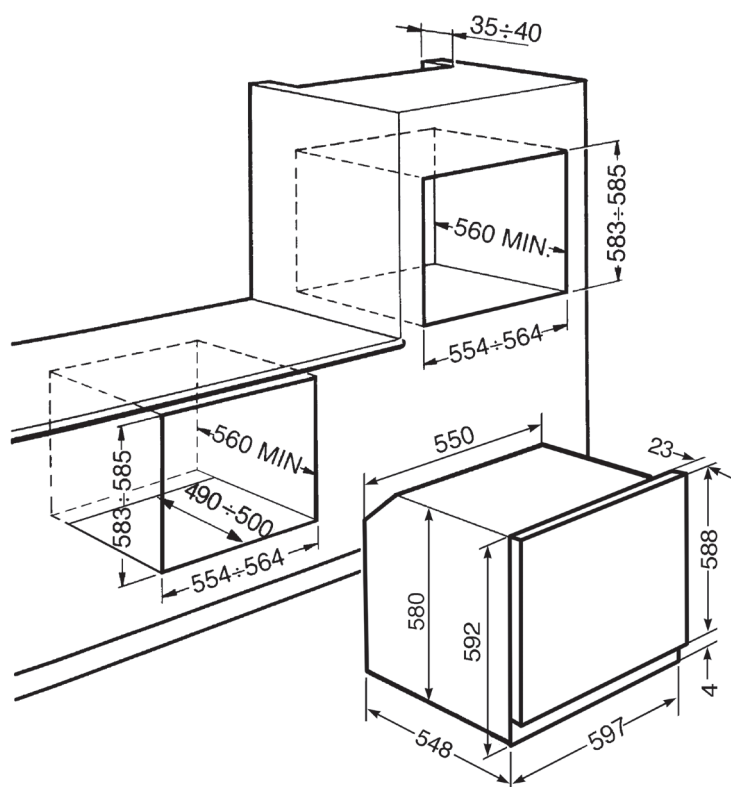


SUPPLIED ACCESSORIES

- 1 x Chrome grill insert
- 2 x Chrome shelves
- 1 x 20mm enamelled baking tray
- 1 x 40mm enamelled baking tray
- 1 x Partial telescopic guides

OPTIONAL ACCESSORIES

- PRTX - Pizza Stone
- PPR2 - Gourmet Cooking Stone
- PALPZ - Single-handle pizza paddle
- 38508/510 - Baking Dish
- GT1P-2 - Partial telescopic guides
- GT1T-2 - Total telescopic guides



SFPA6604STNX

60CM DOLCE STIL NOVO THERMOSEAL PLUS
PYROLYTIC OVEN WITH STEAM ASSIST

MADE IN ITALY

Since 1948



Dimensions	597mmW x 548mmD x 592mmH
Power	220-240V, 50/60Hz 3000W 13A Connection
Warranty	Five years parts and labour

