

VICTORIA COLLECTION

SFA4920VCB

SMEG VICTORIA COMPACTS COMBI STEAM OVEN, WHITE ENAMEL

**COMBI STEAM**

Following the trends for professional-style cooking, Smeg's new Combi Steam ovens combine conventional multifunction cooking with the addition of steam - offering a whole new world of versatility for cooking at home. From gently steamed custards, to glossy bread, to a full roast dinner, all can be achieved with ease and convenience.

**VAPOUR CLEAN**

Smeg's Ever Clean enamel's tough surface has a glassy finish, so a simple spray of water and detergent around the cavity in conjunction with the Vapour Clean option will generate heat and steam to soften any grease for a wipe-clean result.

**EVER CLEAN ENAMEL**

The superior quality of Smeg's patented Ever Clean enamel, which is highly durable and easy to clean, is the result of nearly 70 years of enameling expertise; ensuring long-life performance of every Smeg oven.

**SMARTSENSE**

Smeg's SmartSense intuitive program selection is easy-to-read in the large LCD panel. Effortlessly select oven functions, temperature and time for cooking; enter the time you want your meal to be ready and your delay start is calculated for you; or cook 20 pre-programmed favourites at the flick of a button.

**SOFT CLOSE DOOR**

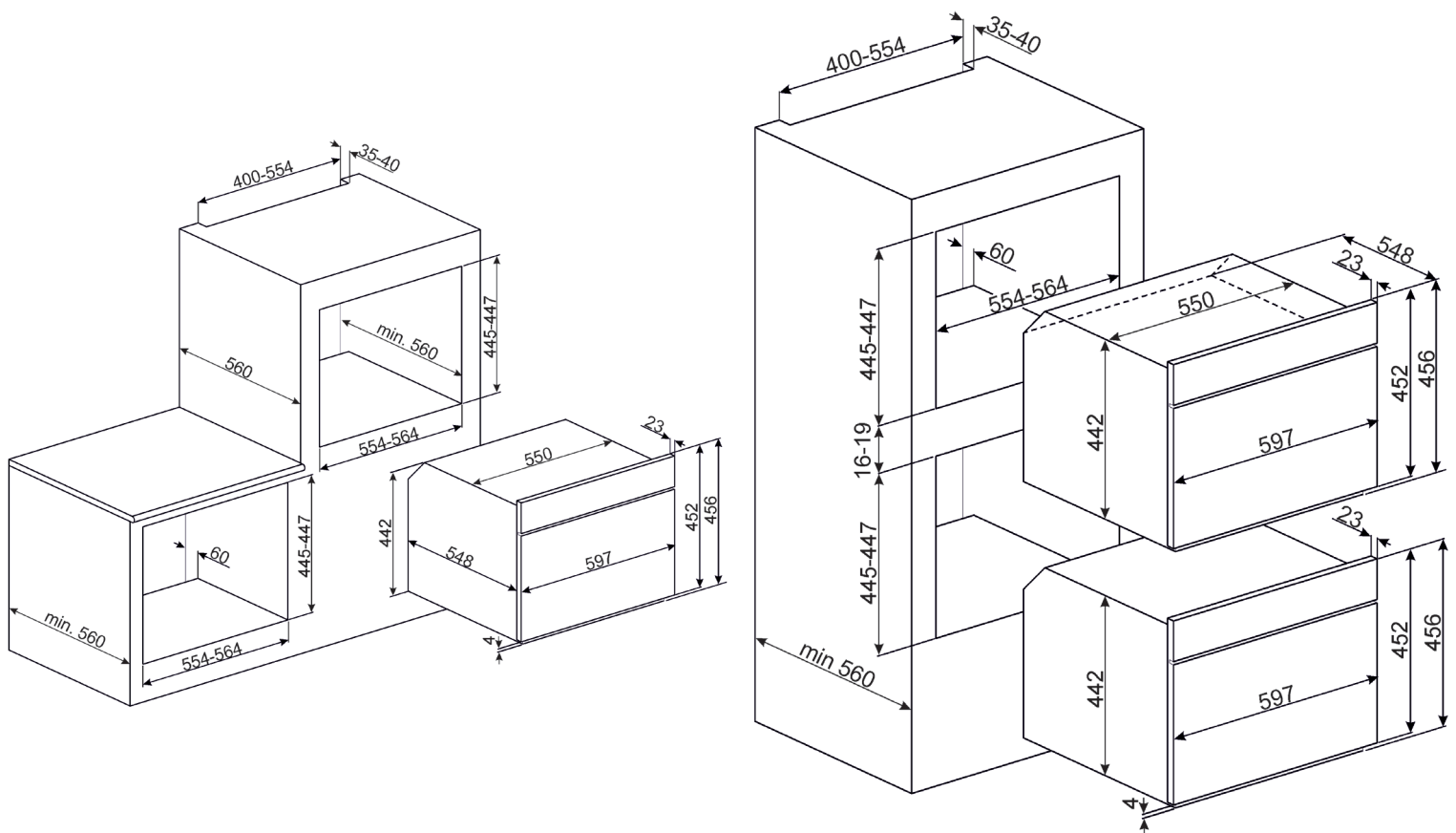
The new soft-close mechanism on Smeg's oven doors ensures a two-stage soft and quiet close. Smeg's quality hinges also ensure the door will not drop on opening, an intrinsic safety feature.

EAN 8017709211110

Finish	White enamel
Total functions	16
Display	Large LCD
Capacity	50 litres
Cooking levels	3
Water tank capacity	1.2 litres
Thermostat	30 - 250°C
Installation	Flush, underbench or wallmount
Programmability	Fully programmable
Cleaning	Smeg Ever Clean enamel, Vapour Clean
Lighting	1 x 40W halogen
Supplied accessories	1 x chrome grill insert 2 x chrome shelves 1 x 40mm enamelled baking tray 1 x 20mm stainless steel tray 1 x 40mm perforated stainless steel tray 1 x Sponge
Optional accessories	GT1P-1 - Partial telescopic guides GT1T-1 - Total telescopic guides
Safety	Soft Close door, thermal protection system, child safety lock, controls lock, steam stop
Dimensions	597mmW x 456mmH x 571mmD
Power	220-240 V 50 Hz 14A
Warranty	Two years parts and labour

VICTORIA COLLECTION

FUNCTIONS:



PLEASE NOTE: drawings are not to scale. They are to assist only.
 WARNING: technical specifications and product sizes can be varied by the manufacturer without notice.
 Cutouts for appliances should only be by physical product measurements. The above information is indicative only.