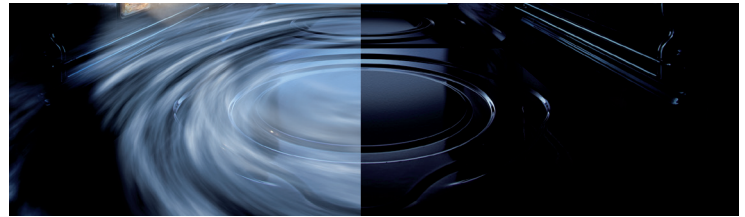


SFA4920MCP

SMEG PANNA ENAMEL COMPACT VICTORIA SPEED OVEN

**SPEED OVEN**

A new addition to technologies for the kitchen, Smeg's Speed Oven is primarily a multifunction oven which is supplemented with innovative microwave technology for faster cooking times. Smeg's Speed Oven cooks approximately 30% faster than conventional cooking, giving back today's most valuable commodity – time.

**EVER CLEAN ENAMEL**

The superior quality of Smeg's patented Ever Clean enamel, which is highly durable and easy to clean, is the result of nearly 70 years of enameling expertise; ensuring long-life performance of every Smeg oven.

**SMARTSENSE**

Smeg's SmartSense intuitive program selection is easy-to-read in the large LCD panel. Effortlessly select oven functions, temperature and time for cooking; enter the time you want your meal to be ready and your delay start is calculated for you; or cook 20 pre-programmed favourites at the flick of a button.

**SOFT CLOSE DOOR**

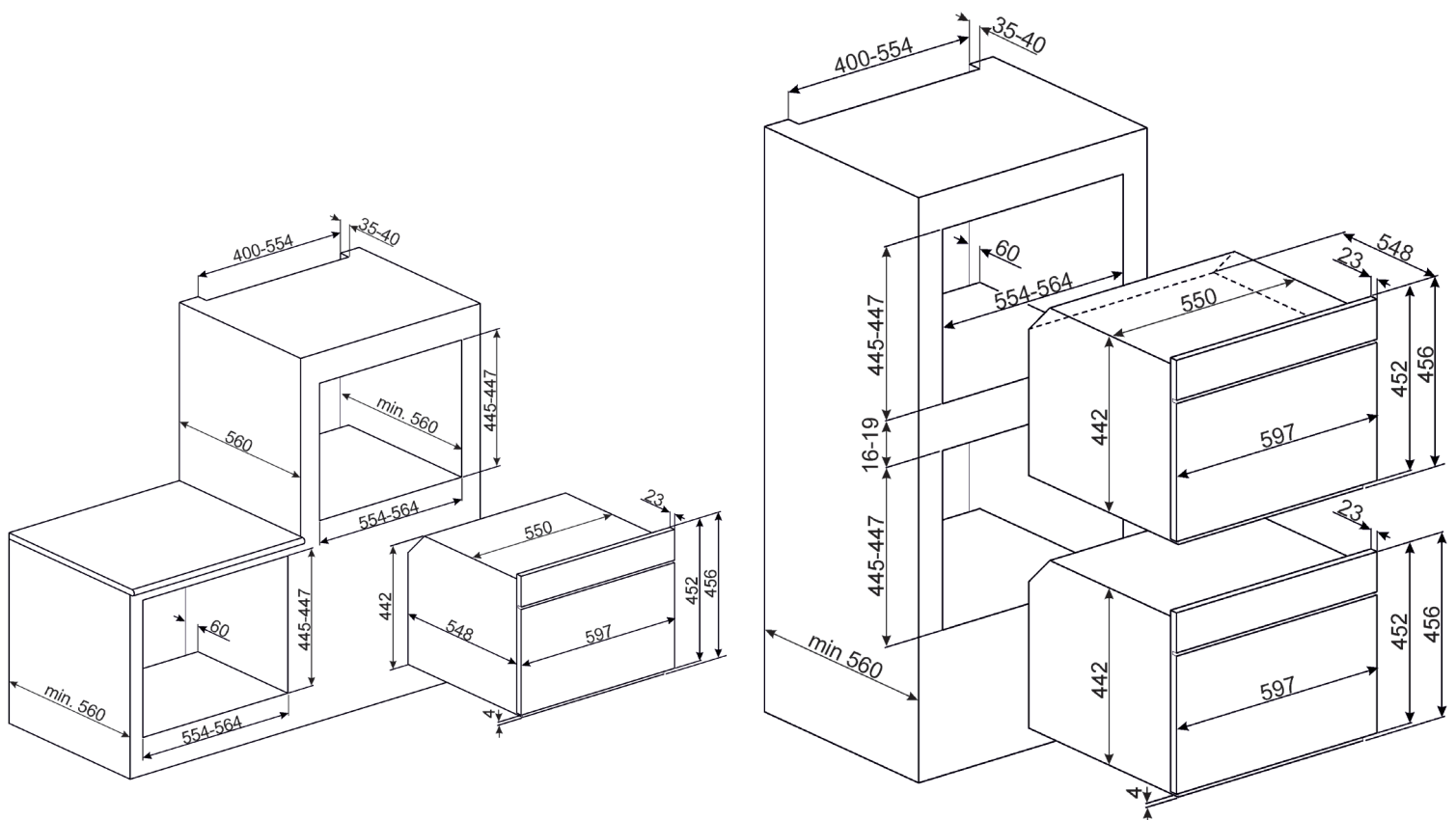
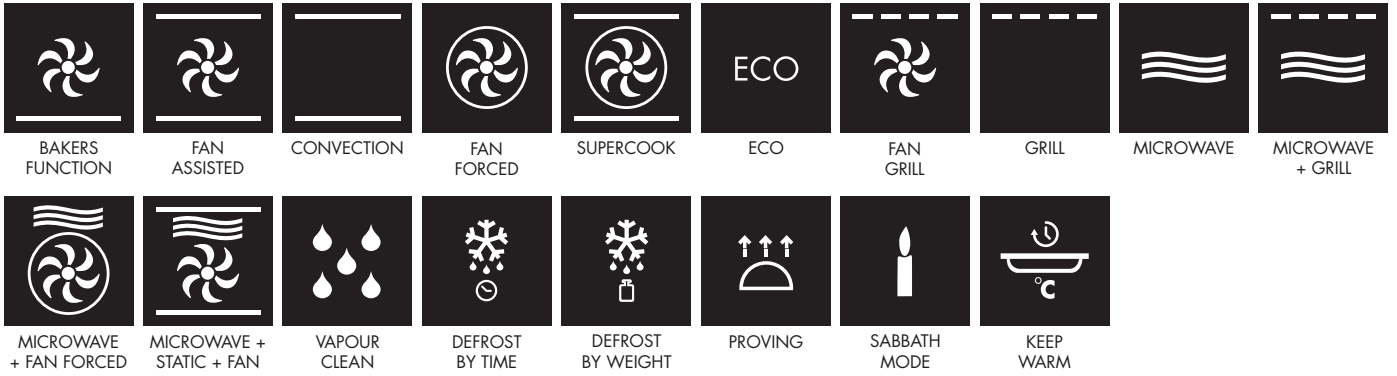
The new soft-close mechanism on Smeg's oven doors ensures a two-stage soft and quiet close. Smeg's quality hinges also ensure the door will not drop on opening, an intrinsic safety feature.

EAN 8017709207175

Finish	Panna (cream) enamel
Total functions	18
Display	Large LCD
Capacity	50 litres
Cooking levels	3
Microwave power	1000W
Thermostat	30 - 250°C
Installation	Flush, underbench or wallmount
Programmability	Fully programmable
Cleaning	Smeg Ever Clean enamel, Vapour Clean
Lighting	2 x 40W halogen
Supplied accessories	1 x chrome grill insert 1 x chrome shelf 1 x Glass tray
Optional accessories	GT1P-1 - Partial telescopic guides GT1T-1 - Total telescopic guides
Safety	Soft Close door, thermal protection system, child safety lock, controls lock
Dimensions	597mmW x 452mmH x 571mmD
Power	220-240 V 50 Hz 14A
Warranty	Two years parts and labour

VICTORIA COLLECTION

FUNCTIONS:



PLEASE NOTE: drawings are not to scale. They are to assist only.
 WARNING: technical specifications and product sizes can be varied by the manufacturer without notice.
 Cutouts for appliances should only be by physical product measurements. The above information is indicative only.