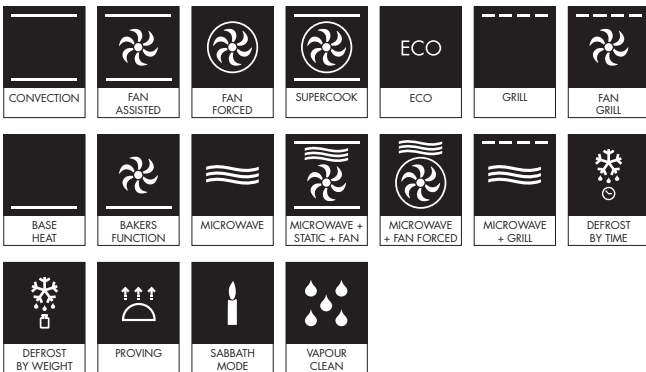


# SFA4604MCNX

## 45CM DOLCE STIL NOVO COMPACT SPEED OVEN

**MADE IN ITALY**  
Since 1948



### SPEED

A new addition to technologies for the kitchen, Smeg's Speed Oven is primarily a multifunction oven supplemented with innovative microwave technology for faster cooking times. Smeg's Speed Oven cooks 30% faster than conventional cooking, giving back today's most valuable commodity – time.

### THERMOSEAL

The seal of Smeg's quality, technical excellence and taste: succulent roasts, crisp pastry and impressive baking is achieved in Smeg's unique, perfectly controlled cooking environment. ThermoSeal maintains the perfect atmospheric balance in the cavity for optimum cooking conditions.

### SMARTSENSE PLUS

Smeg's SmartSense Plus provides a foolproof, step-by-step guide to cooking. The large TFT colour display is clearly legible and simple to follow. SmartSense Plus also has 50 guided cooking programs and you can also save 10 of your most-used favourites.

### SOFT CLOSE DOOR

The new soft-close mechanism on Smeg's oven doors ensures a two-stage soft and quiet close. Smeg's quality hinges also ensure the door will not drop on opening, an intrinsic safety feature.

### EVER CLEAN ENAMEL

The superior quality of Smeg's signature Ever Clean enamel, which is highly durable and easy to clean, is the result of nearly 70 years of enameling expertise; ensuring long-life performance of every Smeg oven.

Dimensions	597mmW x 548mmD x 450mmH
Finish	Eclipse Black Glass with Stainless Steel Trim
Total functions	18 + 50 SmartSense Plus auto menus incl. Sabbath mode, defrost, proving and keep warm
Warranty	Five years parts and labour

### Colours Available



Copper Trim



Stainless Steel Trim



# SFA4604MCNX

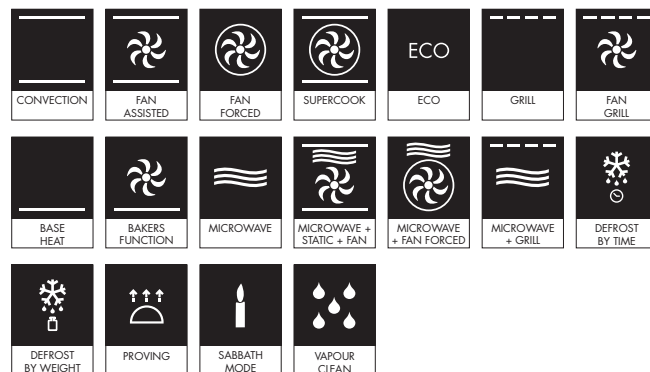
## 45CM DOLCE STIL NOVO COMPACT SPEED OVEN

MADE IN ITALY  
Since 1948

### OVEN FEATURES

Dimensions	597mmW x 548mmD x 450mmH
Finish	Eclipse Black Glass with Stainless Steel Trim
Total functions	18 + 50 SmartSense Plus auto menus incl. Sabbath mode, defrost, proving and keep warm
Auto menus	50 SmartSense Plus menus
Display	Colour Touch TFT
Cavity	Ever Clean enamel
Capacity	50L
Cooking levels	3
Thermostat	30-250°C
Microwave power	1000W
Installation	Built-in
Programmability	Fully programmable
Cleaning	Vapour Clean
Lighting	2 x 40W halogen
Safety	Cool Door technology, thermal protection system, child safety lock, controls lock
Power	220-240V, 50/60Hz 3100W 14A Connection
Warranty	Five years parts and labour

### OVEN FUNCTIONS

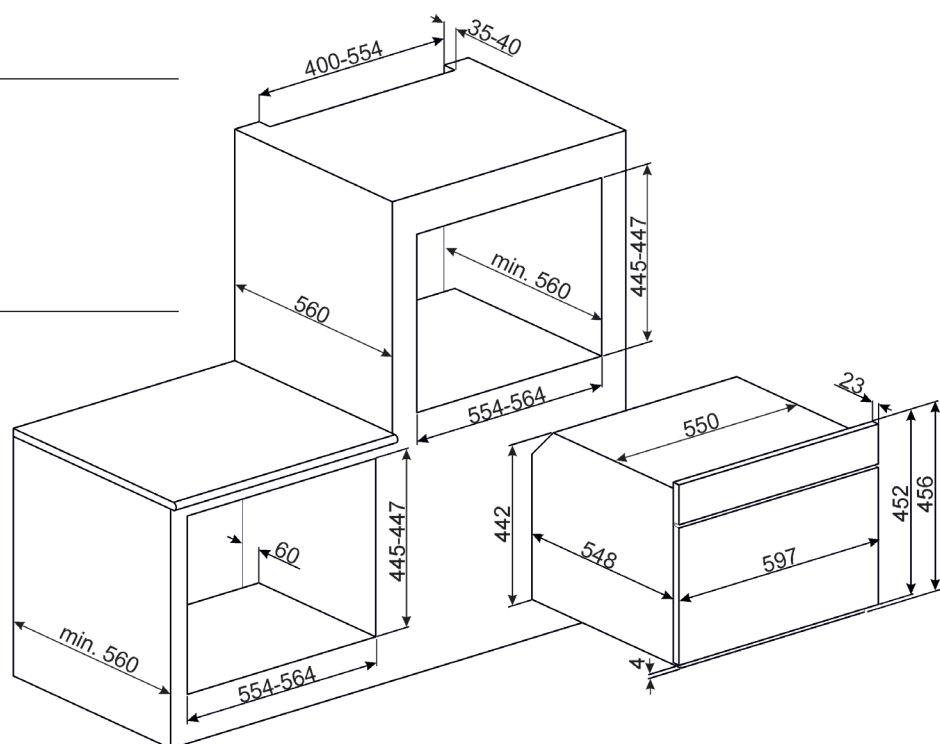


### SUPPLIED ACCESSORIES

- 1 x Chrome grill insert
- 1 x Chrome shelves
- 1 x Glass tray
- 1 x Partial telescopic guides

### OPTIONAL ACCESSORIES

- GT1P-2 - Partial telescopic guides
- GT1T-2 - Total telescopic guides



**SFA4604MCNX**  
45CM DOLCE STIL NOVO COMPACT  
SPEED OVEN

**MADE IN ITALY**  
Since 1948



Dimensions	597mmW x 548mmD x 450mmH
Power	220-240V, 50/60Hz 3100W 14A Connection
Warranty	Five years parts and labour

