

COMPACT OVENS

SFA4301MCN COMPACT CLASSIC SPEED OVEN



SPEED OVEN

A new addition to technologies for the kitchen, Smeg's Speed Oven is primarily a multifunction oven which is supplemented with the innovative microwave technology for faster cooking times. Smeg's Speed Oven cooks approximately 30% faster than conventional cooking, giving back today's most valuable commodity – time.

EVER CLEAN ENAMEL

The superior quality of Smeg's patented Ever Clean enamel, which is highly durable and easy to clean, is the result of nearly 70 years of enameling expertise; ensuring long-life performance of every Smeg oven.



EAN 8017709290436

Dimensions	597mmW x 450mmH x 548mmD
Finish	Matte black Eclipse high visibility black glass
Total functions	12
Display	COMPACT screen
Capacity	50L
Cooking levels	3
Microwave power	1000W
Thermostat	30 - 250°C
Installation	Flush, underbench or wallmount
Programmability	Fully programmable
Cleaning	Smeg Ever Clean enamel
Lighting	1 x 40 Watt halogen
Supplied accessories	1 x Chrome grill insert 1 x Chrome shelves 1 x Glass tray
Optional accessories	GT1P-1 - Partial telescopic guides GT1T-1 - Total telescopic guides
Safety	Thermal protection system, child safety lock, controls lock
Power	220–240V, 50/60Hz 3100W 14A current
Warranty	Two years parts and labour

COMPACTSCREEN

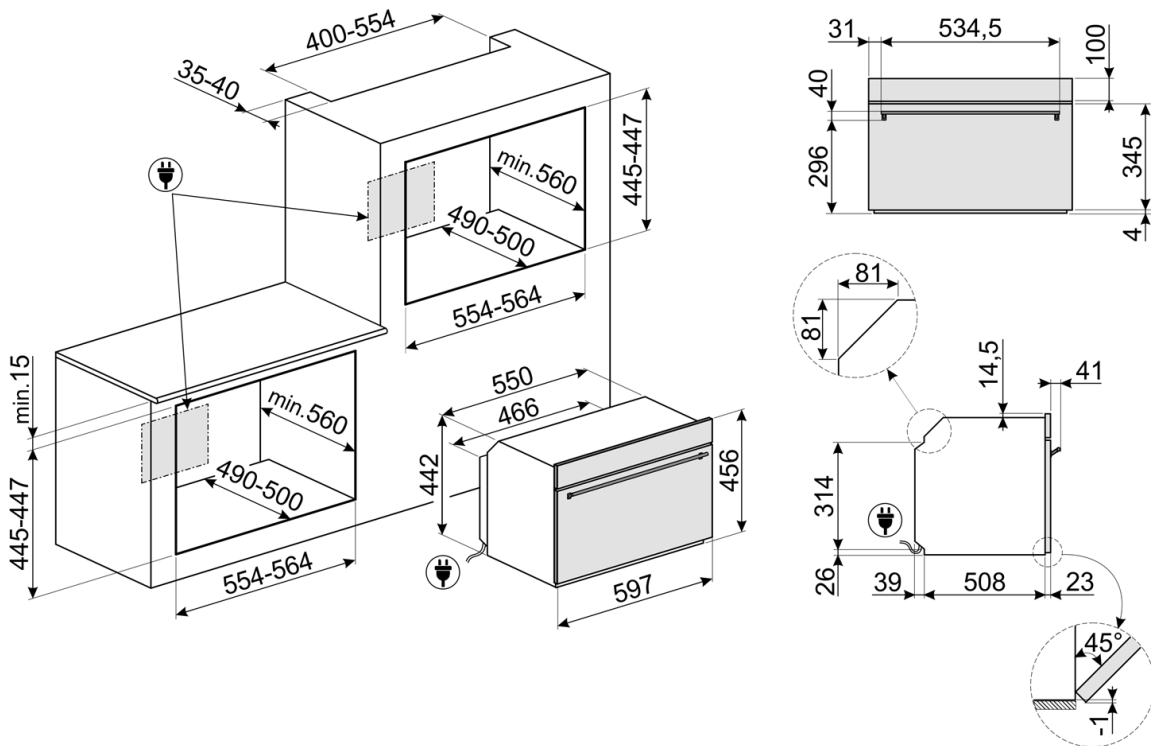
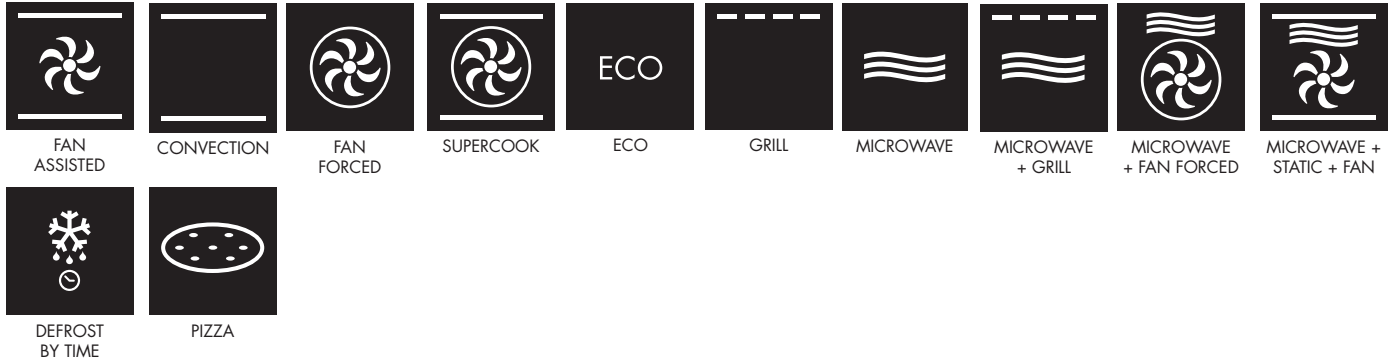
Easy to use, the COMPACTscreen is an intuitive display to effortlessly set cooking programs. The left knob allows you to choose from a variety of cooking functions, whilst the right knob allows you to select the suitable temperature to achieve optimal results.



COMPACT OVENS

SFA4301MCN
COMPACT CLASSIC SPEED OVEN

FUNCTIONS:



PLEASE NOTE: Drawings are not to scale. They are to assist only.

CABINETRY: Cut-outs are indicated for proud mounting. For flush mounting please refer to a specialist installer.

VENTILATION: Ovens and compact ovens require a 35-40mm ventilation gap at the rear of the cabinet.

WARNING: technical specifications and product sizes can be varied by the manufacturer, without notice. Cutouts for appliances should only be by physical product measurements. The above information is indicative only.