

SFA4140MC

Smeg 60cm Linear Compact Speed Oven



SPEED OVEN

A new addition to technologies for the kitchen, Smeg's Speed Oven is primarily a multifunction oven which is supplemented with the innovative microwave technology for faster cooking times. Smeg's Speed Oven cooks approximately 30% faster than conventional cooking, giving back today's most valuable commodity – time.



SMARTSENSE PLUS

Smeg's SmartSense Plus provides a foolproof, step-by-step guide to cooking. The large TFT colour display is legible without reading glasses, and so simple to follow. SmartSense Plus also has 50 guided cooking programs and you can also save 10 of your most-used favourites.



VAPOUR CLEAN

Smeg's Ever Clean enamel's tough surface has a glassy finish, so a simple spray of water and detergent around the cavity in conjunction with the Vapour Clean option will generate heat and steam to soften any grease for a wipe-clean result.



EVER CLEAN ENAMEL

The superior quality of Smeg's patented Ever Clean enamel, which is highly durable and easy to clean, is the result of nearly 70 years of enameling expertise; ensuring long-life performance of every Smeg oven.



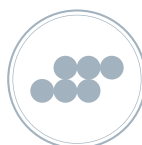
SOFT CLOSE DOOR

The new soft-close mechanism on Smeg's oven doors ensures a two-stage soft and quiet close. Smeg's quality hinges also ensure the door will not drop on opening, an intrinsic safety feature.



EAN 8017709213671

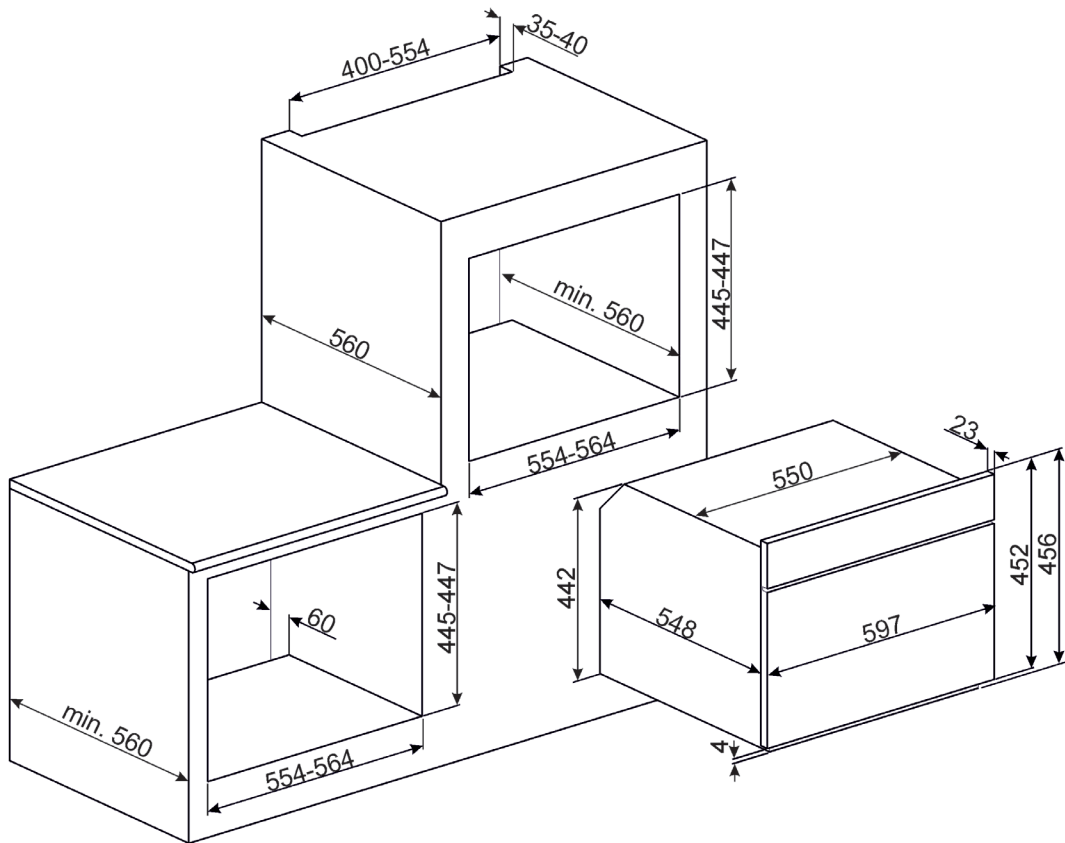
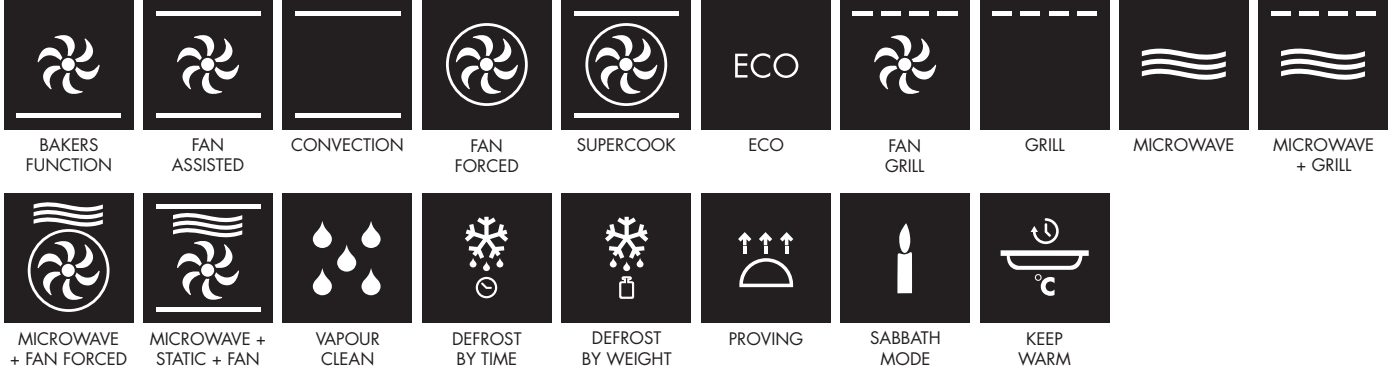
| | |
|----------------------|--|
| Dimensions | 597mmW x 456mmH x 571mmD |
| Finish | Fingerprint proof stainless steel Stopsol® reflective glass |
| Total functions | 18 incl. Sabbath mode, defrost, proving and keep warm + 50 SmartSense Plus auto menus + 10 Personal programs |
| Display | Colour Touch TFT |
| Capacity | 50L |
| Cooking levels | 3 |
| Thermostat | 50 - 250°C |
| Microwave power | 1000W |
| Installation | Built-in |
| Programmability | Fully programmable |
| Cleaning | Vapour Clean |
| Lighting | 2 x 40 Watt halogen |
| Supplied accessories | 1 x Chrome grill insert 1 x Chrome shelves 1 x Glass tray 1 x Partial telescopic guides |
| Optional accessories | GT1P-2 - Partial telescopic guides GT1T-2 - Total telescopic guides |
| Safety | Soft Close door, thermal protection system, child safety lock, controls lock |
| Power | 220-240V, 50/60Hz 3100W 15A current |
| Warranty | Two years parts and labour |



SFA4140MC

Smeg 60cm Linear Compact Speed Oven

FUNCTIONS:



PLEASE NOTE: Drawings are not to scale. They are to assist only.
CABINETRY: Cut-outs are indicated for proud mounting. For flush mounting please refer to a specialist installer.
VENTILATION: Ovens and compact ovens require a 35-40mm ventilation gap at the rear of the cabinet.
WARNING: Technical specifications and product sizes can be varied by the manufacturer, without notice. Cutouts for appliances should only be by physical product measurements. The above information is indicative only.

