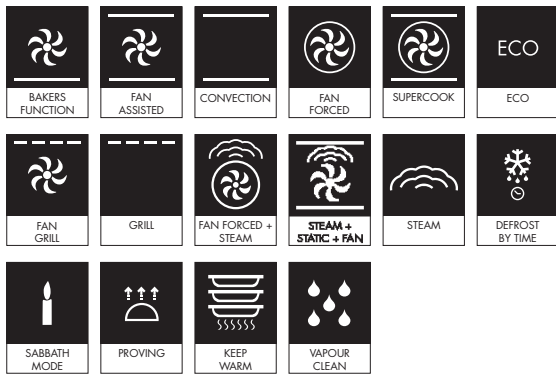


# SFA4104VCN

## 60CM LINEA COMPACT COMBI-STEAM OVEN

**MADE IN ITALY**  
Since 1948



### COMBI STEAM

Smeg's Combi Steam ovens combine conventional multifunction cooking with the addition of steam - offering increased versatility for cooking at home. From gently steamed custards, to glossy bread, to a full roast dinner, all can be achieved with ease and convenience.

### SMARTSENSE PLUS

Smeg's SmartSense Plus provides a foolproof, step-by-step guide to cooking. The large TFT colour display is clearly legible and simple to follow. SmartSense Plus also has 50 guided cooking programs and you can also save 10 of your most-used favourites.

### SOFT CLOSE DOOR

The new soft-close mechanism on Smeg's oven doors ensures a two-stage soft and quiet close. Smeg's quality hinges also ensure the door will not drop on opening, an intrinsic safety feature.

### EVER CLEAN ENAMEL

The superior quality of Smeg's signature Ever Clean enamel, which is highly durable and easy to clean, is the result of nearly 70 years of enameling expertise; ensuring long-life performance of every Smeg oven.

### TOUCH SCREEN INTERFACE

Delicious meals begin with Smeg's simple touch screen interface. Program function, time and temperature to tailor oven performance to your chosen ingredients.

Dimensions	597mmW x 456mmH x 571mmD
Finish	Black Stopsol® glass
Total functions	16 + 50 SmartSense Plus auto menus + 10 Personal programs
Warranty	Five years parts and labour

### Colours Available



# SFA4104VCN

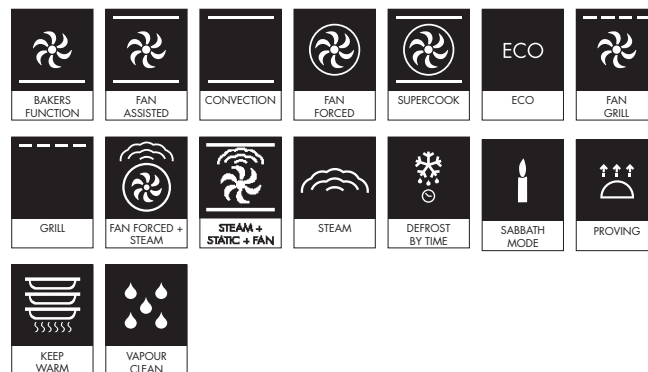
## 60CM LINEA COMPACT COMBI-STEAM OVEN

MADE IN ITALY  
Since 1948

### OVEN FEATURES

Dimensions	597mmW x 456mmH x 571mmD
Finish	Black Stopsol® glass
Total functions	16 + 50 SmartSense Plus auto menus + 10 Personal programs
Display	Colour Touch TFT
Capacity	50L
Cooking levels	3
Thermostat	30 - 250°C
Water tank capacity	1.2L
Installation	Built-in
Programmability	Fully programmable
Cleaning	Vapour Clean
Lighting	1 x 40 Watt halogen
Safety	Soft Close door, thermal protection system, child safety lock, controls lock, steam stop
Power	220-240V, 50/60Hz 3100W 15A Connection
Warranty	Five years parts and labour

### OVEN FUNCTIONS



### SUPPLIED ACCESSORIES

- 1 x Chrome insert
- 2 x Chrome shelves
- 1 x 40mm enamelled baking tray
- 1 x 20mm stainless steel tray
- 1 x 40mm perforated stainless steel tray
- 1 x Sponge

### OPTIONAL ACCESSORIES

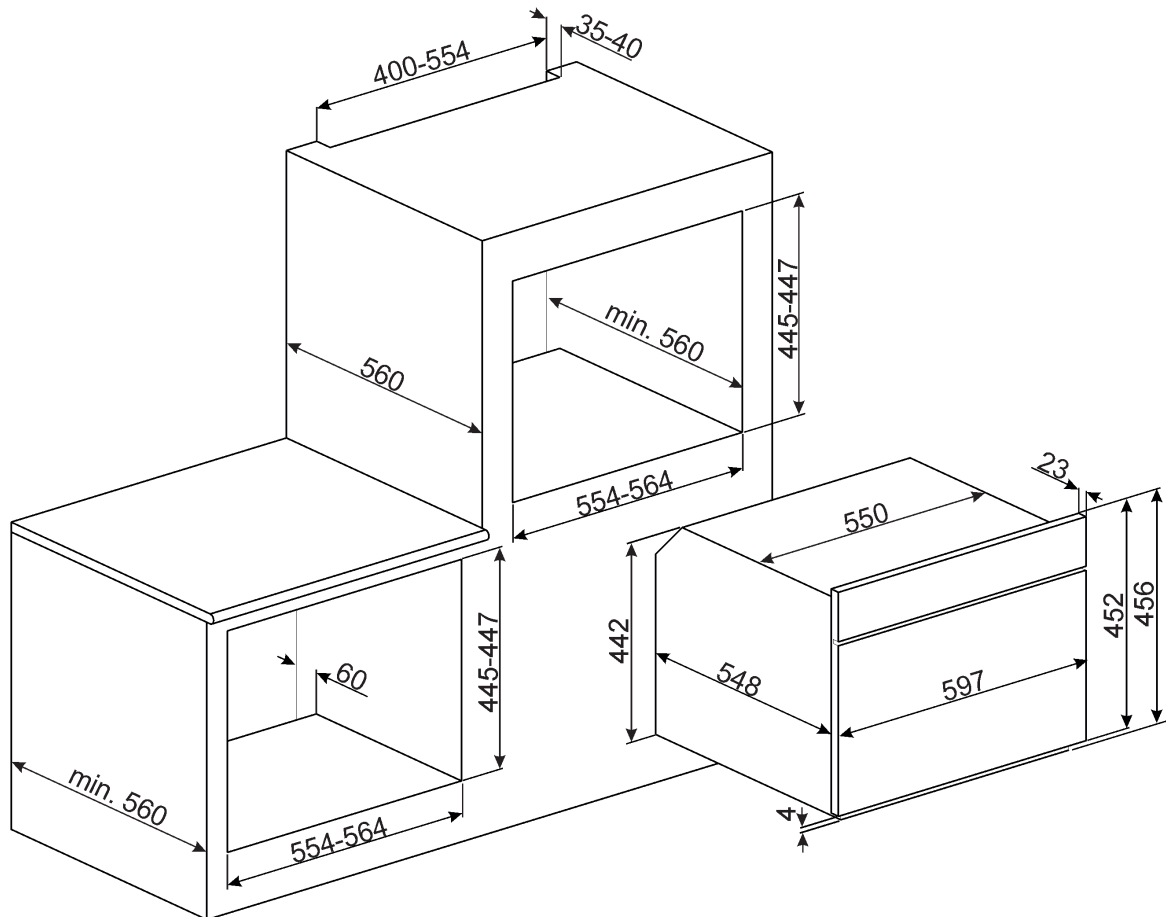
- GT1P-2 - Partial telescopic guides
- GT1T-2 - Total telescopic guides

**SFA4104VCN**  
60CM LINEA COMPACT COMBI-STEAM OVEN

**MADE IN ITALY**  
Since 1948



Dimensions	597mmW x 456mmH x 571mmD
Power	220-240V, 50/60Hz 3100W 15A current
Warranty	Five years parts and labour



WARNING: technical specifications and product sizes can be varied by the manufacturer, without notice. Cutouts for appliances should only be by physical product measurements. The above information is indicative only.