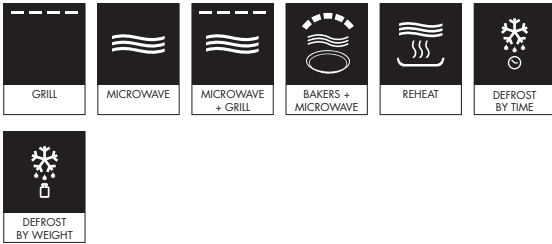


# SFA4102MN

## COMPACT LINEA MICROWAVE WITH GRILL

MADE IN ITALY  
  
 Since 1948



### MICROWAVE WITH GRILL

Smeg's built-in microwave with grill is one of the most versatile and convenient appliances in the kitchen for heating food quickly and efficiently. The defrost option by time or by weight ensures perfect results without overcooking.

### EASY READ DISPLAY

Thanks to new user-friendly displays with large easy-to-read graphics, oven programming is taken to a whole new level making cooking not a necessity but a true pleasure.

### EVER CLEAN ENAMEL

The superior quality of Smeg's signature Ever Clean enamel, which is highly durable and easy to clean, is the result of nearly 70 years of enameling expertise; ensuring long-life performance of every Smeg oven.

### LINEA DESIGN

Distinctive products that incorporate modern minimalist design trends, the Linea aesthetic is characterised by symmetrical lines, balance and light. Any combination of premium Linea appliances will make a real style statement in the kitchen.

Dimensions	597mmW x 450mmH x 548mmD
Finish	Black Stopsol® glass
Total functions	7
Warranty	Five years parts and labour

### Colours Available



Black  
SFA4102MN



Silver  
SFA4102MS

# SFA4102MN

## COMPACT LINEA MICROWAVE WITH GRILL

MADE IN ITALY

Since 1948

### OVEN FEATURES

Dimensions	597mmW x 450mmH x 548mmD
Finish	Black Stopsol® glass
Total functions	7
Display	Large LCD
Capacity	50L
Cooking levels	3
Thermostat	50 - 250°C
Microwave power	1000W
Installation	Built-in
Programmability	Fully programmable
Cleaning	N/A
Lighting	1 x 40 Watt halogen
Safety	Soft Close door, thermal protection system, child safety lock, controls lock
Power	220-240V, 50/60Hz 3200W 15A Connection
Warranty	Five years parts and labour

### OVEN FUNCTIONS



### SUPPLIED ACCESSORIES

- 1 x chrome grill insert
- 1 x baker plate

### OPTIONAL ACCESSORIES

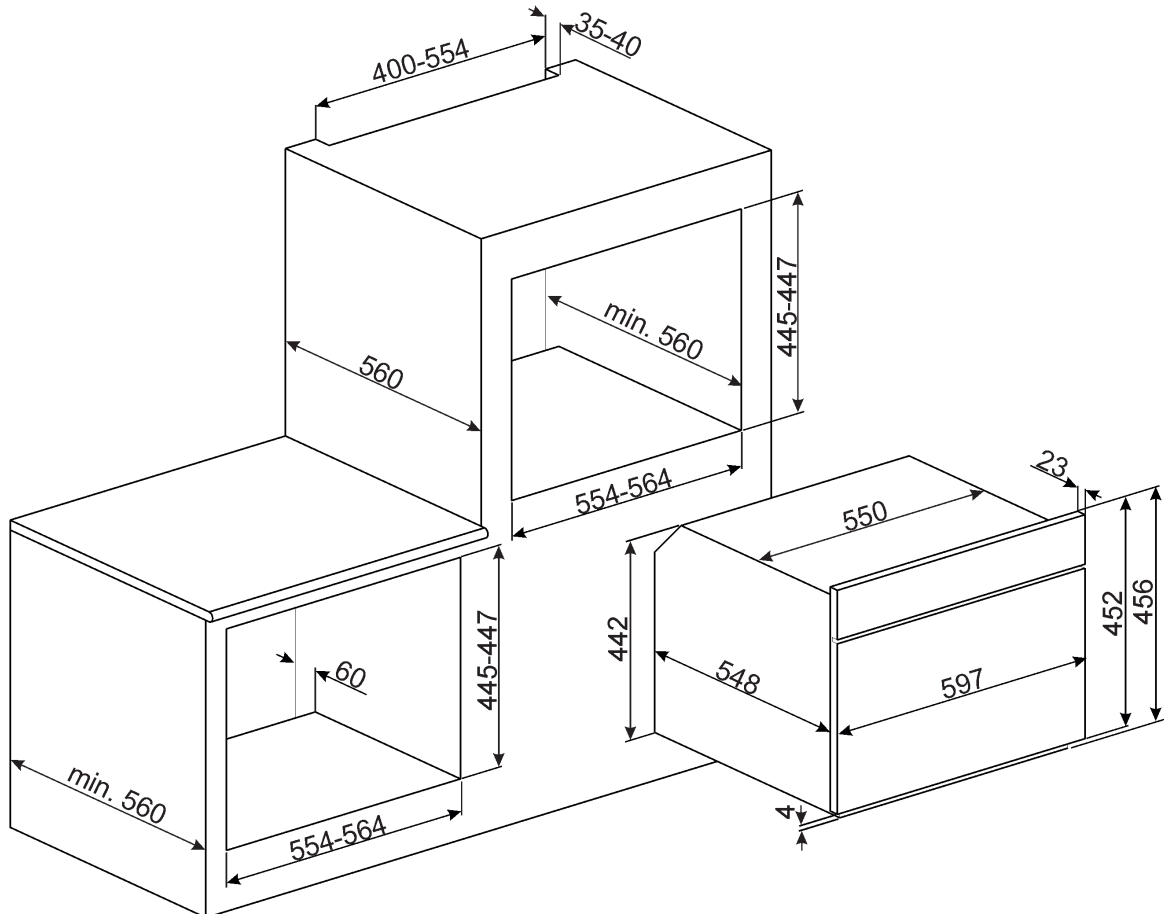
- GT1P-2 - Partial telescopic guides
- GT1T-2 - Total telescopic guides

**SFA4102MN**  
COMPACT LINEA MICROWAVE WITH GRILL

MADE IN ITALY  
Since 1948



Dimensions	597mmW x 450mmH x 548mmD
Power	220-240V, 50/60Hz 3200W 15A Connection
Warranty	Five years parts and labour



WARNING: technical specifications and product sizes can be varied by the manufacturer, without notice. Cutouts for appliances should only be by physical product measurements. The above information is indicative only.