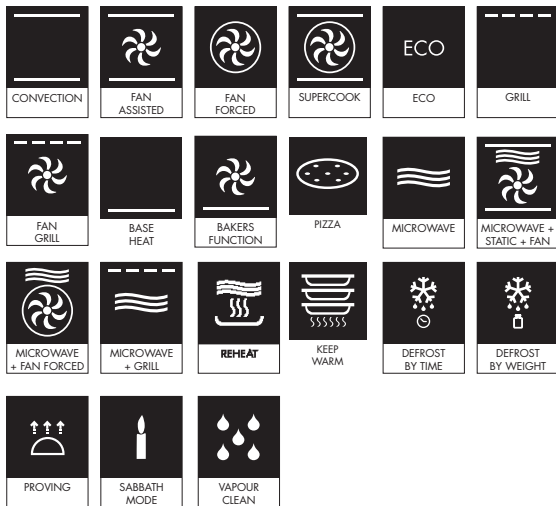


# SF4104WMCN

## COMPACT LINEA SPEED OVEN

MADE IN ITALY  
Since 1948



### SPEED

A new addition to technologies for the kitchen, Smeg's Speed Oven is primarily a multifunction oven supplemented with innovative microwave technology for faster cooking times. Smeg's Speed Oven cooks 30% faster than conventional cooking, giving back today's most valuable commodity – time.

### SMART COOKING

Become an adventurous cook with over 56 auto programs. Nothing is too difficult to prepare and let the oven do the work for you. Hobby cooks can save 10 of their favourite recipes which can be called up at the touch of a button.

### TOUCH CONTROLS

Smeg's intuitive Vivo Screen makes cooking a breeze. With a variety of pre-set programs and timer functions, prepare meals at the touch of a button.

### EVER CLEAN ENAMEL

The superior quality of Smeg's signature Ever Clean enamel, which is highly durable and easy to clean, is the result of nearly 70 years of enameling expertise; ensuring long-life performance of every Smeg oven.

### SOFT CLOSE DOOR

The new soft-close mechanism on Smeg's oven doors ensures a two-stage soft and quiet close. Smeg's quality hinges also ensure the door will not drop on opening, an intrinsic safety feature.

Dimensions	597mmW x 458mmH x 571mmD (excludes door and handle)
Finish	Black Stopsol® glass
Total functions	21 incl. Sabbath mode, defrost, proving and keep warm + 56 Smartcooking auto menus + 10 Personal programs
Warranty	Five years parts and labour

### Colours Available



Black  
SF4104WMCN



Silver  
SF4104WMCN

# SF4104WMCN

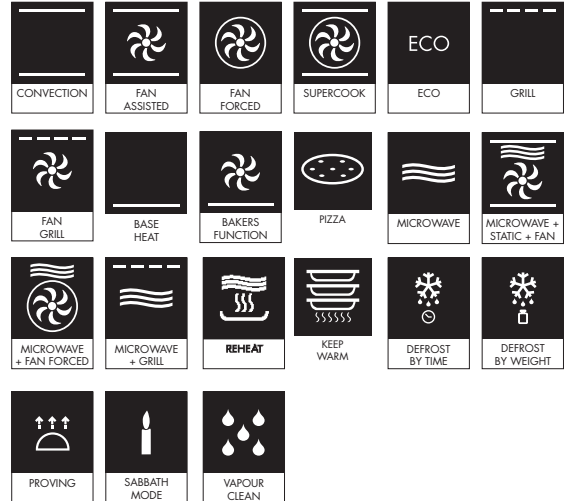
## COMPACT LINEA SPEED OVEN

MADE IN ITALY  
Since 1948

### OVEN FEATURES

Dimensions	597mmW x 458mmH x 571mmD (excludes door and handle)
Finish	Black Stopsol® glass
Total functions	21 incl. Sabbath mode, defrost, proving and keep warm + 56 Smartcooking auto menus + 10 Personal programs
Display	Vivo Screen
Capacity	50L
Cooking levels	3
Thermostat	50 - 250°C
Microwave power	1000W
Installation	Built-in
Programmability	Fully programmable
Cleaning	Vapour Clean
Lighting	2 x 40 Watt halogen
Safety	Soft Close door, thermal protection system, child safety lock, controls lock
Power	220–240V, 50Hz 3100W 15A Connection
Warranty	Five years parts and labour

### OVEN FUNCTIONS



### SUPPLIED ACCESSORIES

- 1 x Chrome grill insert
- 1 x Chrome shelves
- 1 x Glass tray
- 1 x Partial telescopic guides

### OPTIONAL ACCESSORIES

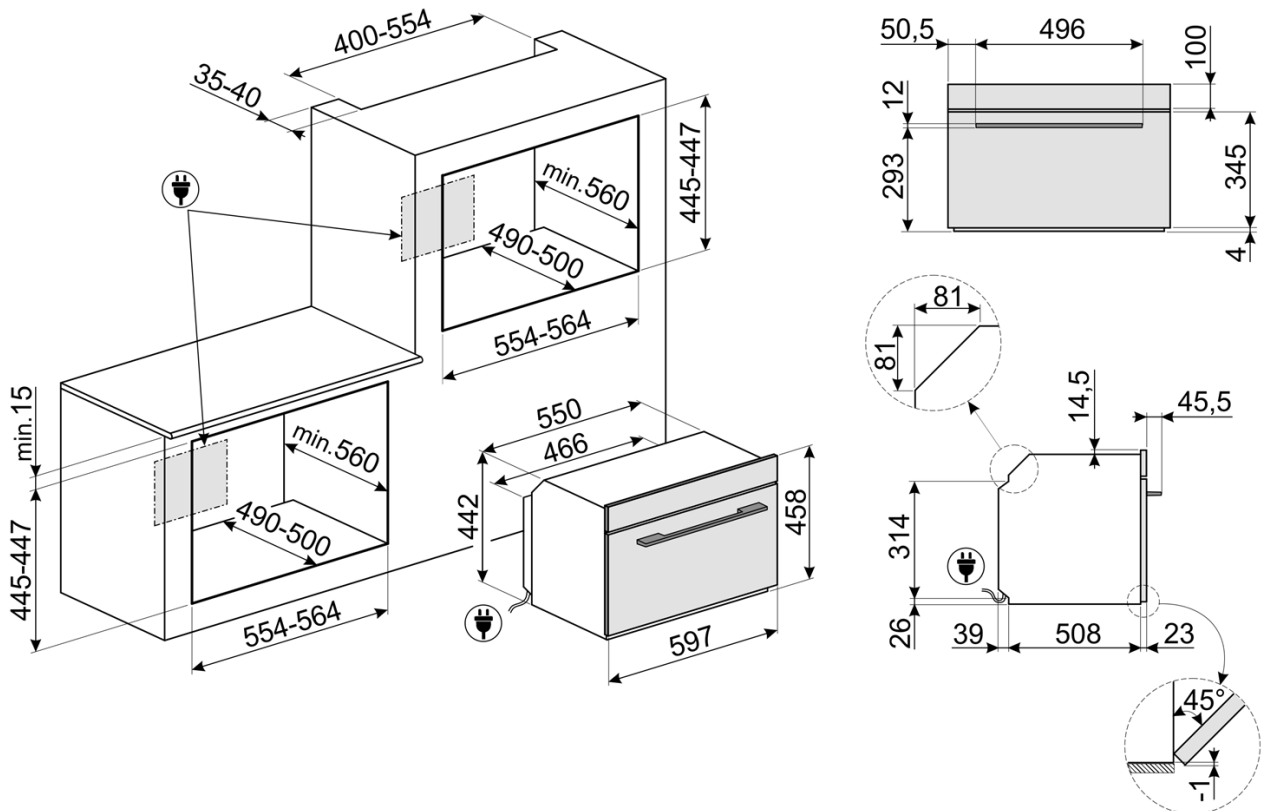
- GTP - Partial telescopic guides
- GTT - Total telescopic guides
- BN620-1 - 20mm deep enamelled tray
- BN640 - 40mm deep enamelled tray
- PALPZ - Foldable pizza shovel

SF4104WMCN  
COMPACT LINEA SPEED OVEN

MADE IN ITALY  
Since 1948



Dimensions	597mmW x 458mmH x 571mmD
Power	220-240V, 50Hz 3100W 15A Connection
Warranty	Five years parts and labour



WARNING: technical specifications and product sizes can be varied by the manufacturer, without notice. Cutouts for appliances should only be by physical product measurements. The above information is indicative only.