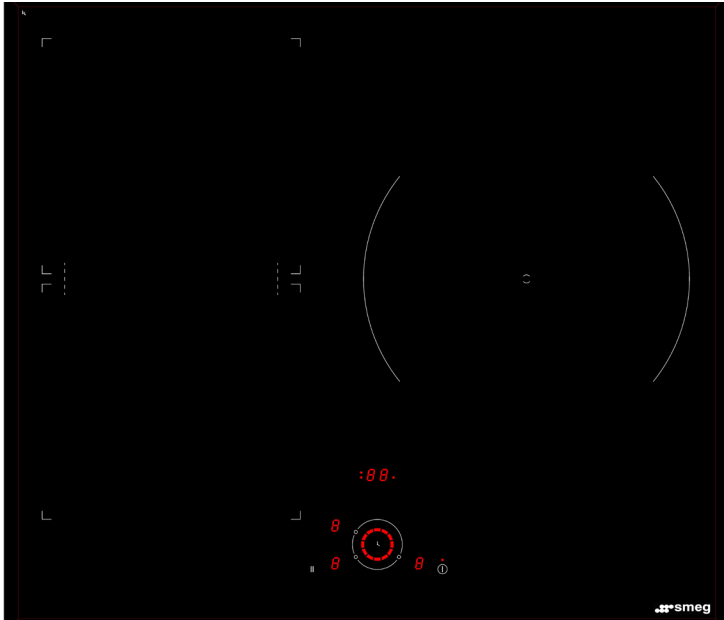


## SAI613B 60CM INDUCTION COOKTOP



### EAN

Finish	Black ceramic surface, 12mm bevelled edge
Installation	Built-in hob, topmount
Size	590mmW x 45mmH x 520mmD (Height includes 4mm Ceramic surface)
Cutout	560mmW x 490mmD
Capacity	<b>3 zones</b> *Front left – 2100W   boost 2500/3000W 210x190mm *Rear left – 1600W   boost 1850W 210x190mm Right – 2300W   boost 3000W Ø250mm *These zones feature Surface Share
Power levels	9 heat settings per zone + boost 1 auto-regulated temperature ∞ 70°C
Timers	Simultaneous timers for each zone independent egg timer
Controls	Circular slider control
Safety	automatic cut-off touch-control lock residual heat indicators automatic spillage stop
Power	220–240V, 50/60Hz 6400W 27A Must be hard wired
Pan size	automatic pan size recognition
Warranty	two years parts and labour

### PAN DETECTION

Only the base area of the pan is activated by the electromagnetic field within the cooking zone so there is no wastage of power.

### SLIDE OR DIRECT CONTROL

For precise cooking control, each zone is operated by an ergonomic circular slide control where you can choose to touch directly or finger swipe the 1 to 9 power levels with no 'tapping' required.

### RECALL FUNCTION

After switching off the cooktop, it's also possible to reactivate all of the previous settings.

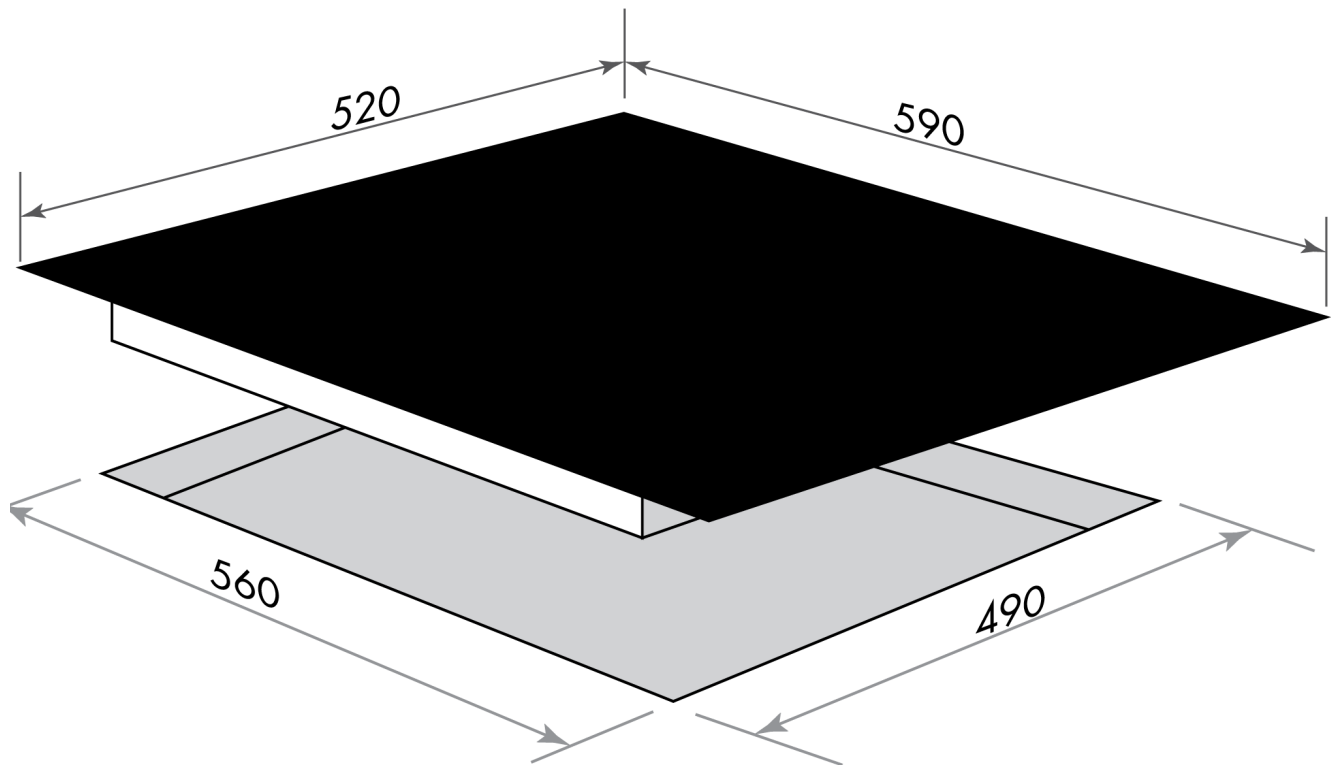
### AUTOMATIC COOKING AND TIMERS

Each zone can be programmed for automatic cooking, where the zone heats to full power and then automatically reduces to the level you have selected. Stop-cook timers can also be activated for each zone. The STOP & GO function means you can pause the whole cooktop, and return to your previous settings if you need to leave the cooktop unattended for any reason.

### SAFETY AND MAINTENANCE

For safety, Smeg's SmartSense cooktops feature automatic spillage stop, touch control locks, child safety locks and residual heat indicators. Cooling fans ensure the temperature beneath the carcass is tempered and protects the electronic controls. And because boil-overs will not burn onto the surface, SmartSense cooktops are very easy to clean simply with a damp cloth.

**SAI613B**  
60CM INDUCTION COOKTOP



PLEASE NOTE: drawings are not to scale. They are to assist only.

WARNING: technical specifications and product sizes can be varied by the manufacturer without notice.

Cutouts for appliances should only be by physical product measurements. The above information is indicative only.

ID180720