

SA950CXA

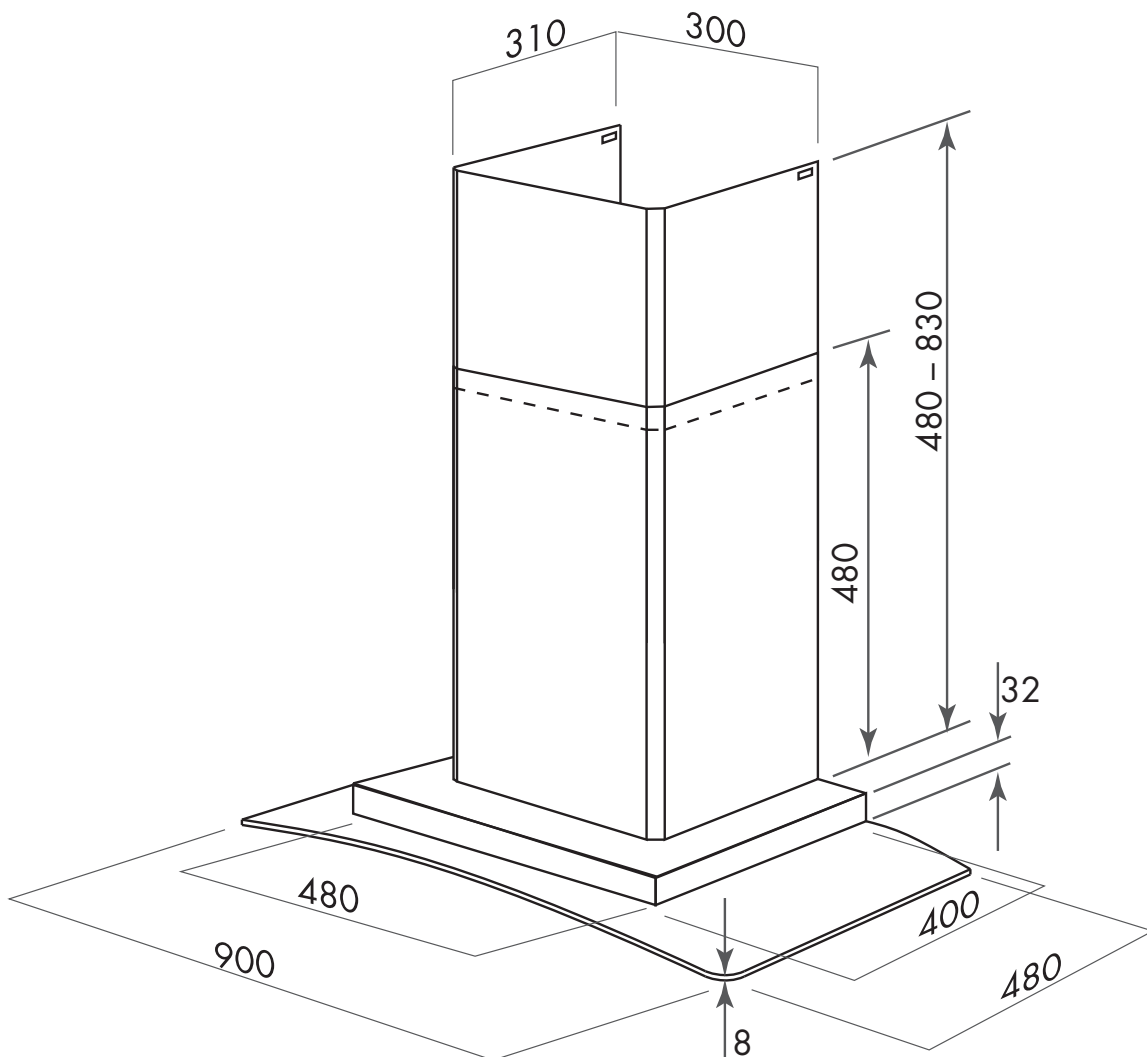
90CM WALLMOUNT RANGEHOOD WITH CURVED GLASS



EAN 9345025000446

Finish	Stainless steel and 8mm glass
Dimensions	900mmW x 480mmD x 830mmH maximum
Installation	Wallmount
Motor	1 x 138W
Max Airflow	910m ³ /hr (IEC 61591)
Noise rating	58 dBA maximum
Illumination	2 x 2W LED
Speeds	Three
Delay stop	no
Supplied Accessories	1 x stainless steel grease filter
Optional Accessories	no
Ducting Options	Duct to atmosphere Recirculate— 150mm diameter ducting required
Power	220–240V, 50Hz 10A (3-pin plug)
Warranty	Two years parts and labour

SA950CXA
90CM WALLMOUNT RANGEHOOD WITH CURVED GLASS



PLEASE NOTE: drawings are not to scale. They are to assist only.
WARNING: technical specifications and product sizes can be varied by the manufacturer without notice.
Cutouts for appliances should only be by physical product measurements. The above information is indicative only.

ID170731