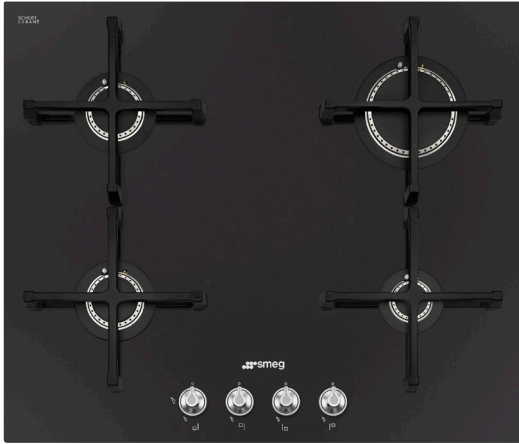


# PV164CN2AU

60CM LINEAR GAS COOKTOP, ULTRA LOW PROFILE

MADE IN ITALY

Since 1948



## DIRECT FLAME TECHNOLOGY

The very latest Smeg cooktops feature "Direct" flame high performance burners. The "Direct" flame concentrates the available energy, increasing both the efficiency and concentration of heat transferred to the pot.

## SPACE-SAVING DESIGN

When space is not restrictive, this wide hob offers multiple burners ergonomically positioned for maximum benefit, with the possibility of several styles of cooking at the one time.

## FLAME FAILURE DEVICE

Safety fitted to all burners, the Flame Failure Device ensures that should a flame be extinguished accidentally, the gas supply to the specific burner is stopped. The burner can only then be reignited by following normal ignition procedure.

## CAST-IRON PAN STANDS

The solid cast-iron pan stands cover the burner, creating a harmonious and ergonomic surface onto which pots can be placed and moved safely and securely. In addition to providing a highly professional look, these ensure excellent performance, which remains unaffected over time.

## ELECTRONIC IGNITION

Comfortably reignite the flame with automatic electronic ignition technology. Simply turn the dial during the ignition process for precise control of heat distribution that is both safe and convenient.

Dimensions	600mmW x 510mmD x 40mmH (height excludes knobs and trivets)
Finish	Black ceramic
Capacity	4 Burner Front left 6.1 mj/hr Rear left 6.1 mj/hr Front Right 4.7 mj/hr Rear right 10.8 mj/hr
Warranty	Five years parts and labour

## Colours Available



Black  
PV164CN2AU



White  
PV164CB2AU

# PV164CN2AU

60CM LINEAR GAS COOKTOP, ULTRA LOW PROFILE

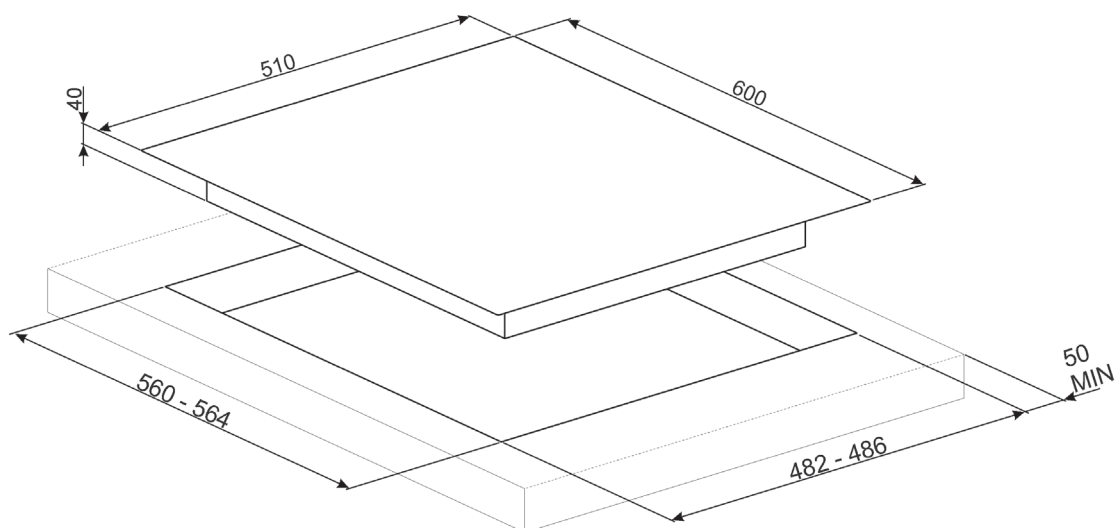
**MADE IN ITALY**  
Since 1948

## COOKTOP FEATURES

Dimensions	600mmW x 510mmD x 40mmH (height excludes knobs and trivets)
Finish	Black ceramic
Installation	Topmount
Capacity	4 Burner Front left 6.1 mj/hr Rear left 6.1 mj/hr Front Right 4.7 mj/hr Rear right 10.8 mj/hr
Ignition	Automatic electronic
Gas Connection	Fitted for natural gas: regulator supplied adaptable for ULPG: no regulator required
Power	220-240 V 50/60Hz 10A
Safety	Flame failure device (FFD) fitted to each burner
Warranty	Five years parts and labour

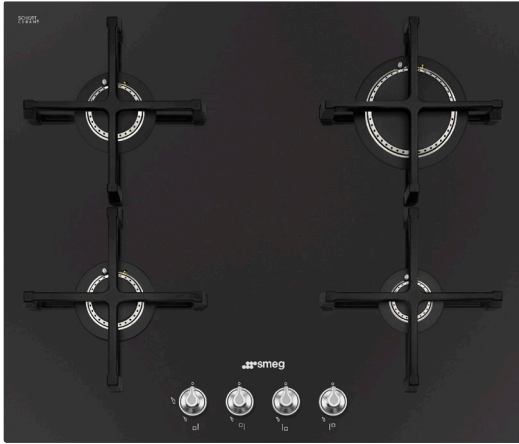
## SUPPLIED ACCESSORIES

1 x set of cast-iron trivets



**PV164CN2AU**  
60CM LINEAR GAS COOKTOP, ULTRA LOW PROFILE

**MADE IN ITALY**  
Since 1948



Dimensions	600mmW x 510mmD x 40mmH (height excludes knobs and trivets)
Power	220-240 V 50/60Hz 10A
Warranty	Five years parts and labour

