

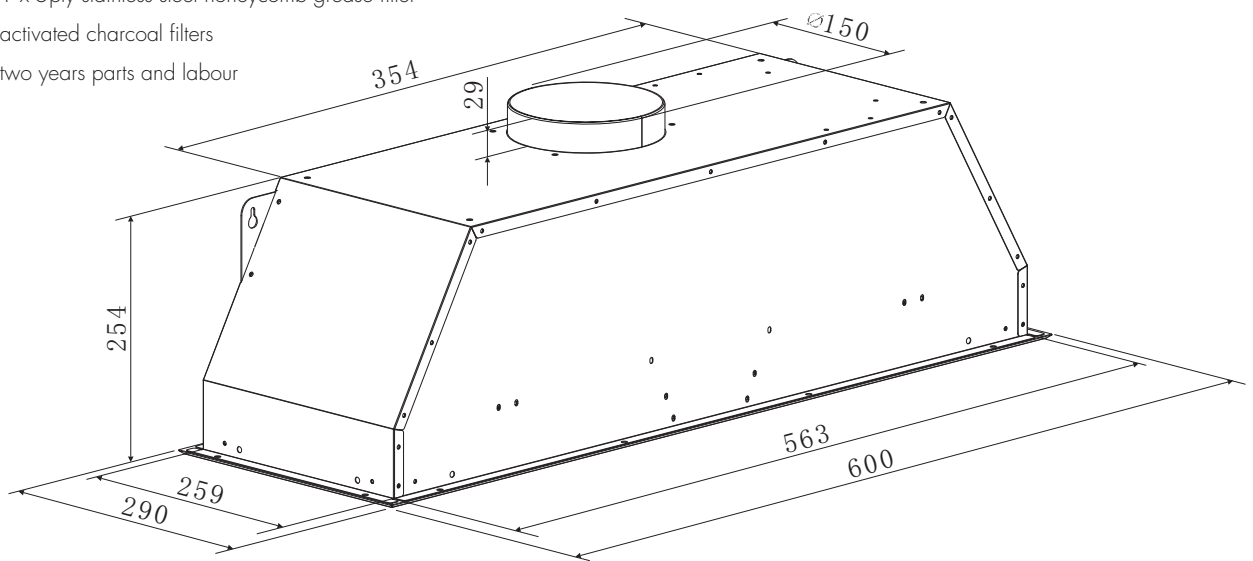
PUM601X

smeg 60cm concealed undermount rangehood



**EAN** 9345025001474

dimensions	600mmW x 290mmD x 254mmH
finish	satin stainless steel
installation	concealed within cupboards or island bulkhead
motor	190 watt centrifugal, twin impellers, double-sided air uptake
capacity	700m <sup>3</sup> /hr airflow (IEC 61591)
air extraction	duct direct to atmosphere or recirculate to kitchen, 150mm ducting required
noise rating	51-61 dBA (IEC 60704-3)
extraction	<ul style="list-style-type: none"> <li>• direct duct to atmosphere, 150mm ducting required</li> <li>• recirculate to kitchen, 150mm diameter ducting required</li> </ul>
illumination	2 x 3w LED (GU10)
speeds	3 speed, electronic control
filtration	1 x 5ply stainless steel honeycomb grease filter
option	activated charcoal filters
warranty	two years parts and labour



PLEASE NOTE: drawings are not to scale. They are to assist only.