

COMMERCIAL EXCLUSIVE

COOKTOPS

PIP364D 60CM INDUCTION COOKTOP



TOUCH CONTROLS

For precise cooking control, each zone is operated by an ergonomic slide control where you can choose to touch directly or finger swipe up and down the 1 to 9 power levels with no 'tapping' required.

BOOST FUNCTION

Boost provides an additional surge of power for even more intense heat and is ideal for heating large quantities of water rapidly.

TIMER FUNCTION

The timer function can be used as an independent minute minder or as a switch off timer for all zones each zone to ensure economical power usage. Timer can be set between 1 - 999 minutes.

RESIDUAL HEAT INDICATOR

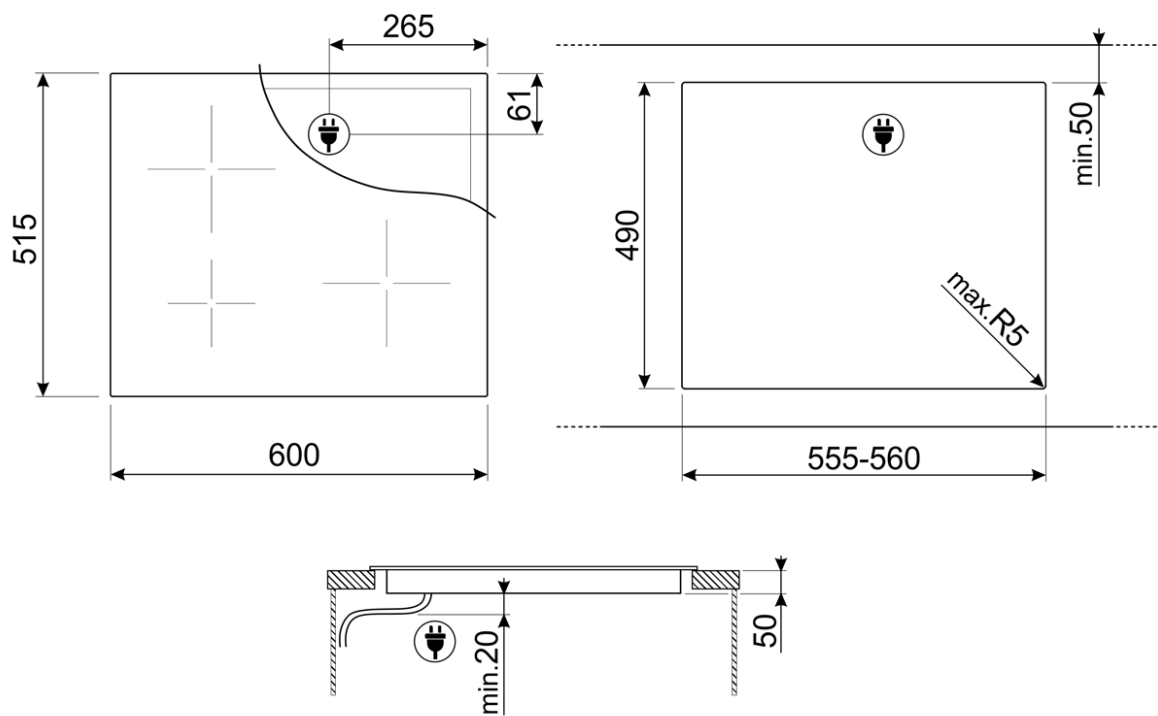
If the induction cooktop surface is still hot a [H] is indicated on the control panel. Once the temperature falls to a safe level the indicator will go out and the cooktop can be easily cleaned.

EAN 8017709281250

Dimensions	600mmw x 515mmD x 56mmH
Finish	Black ceramic
Installation	Topmount
Capacity	4 burner Front left: 210mm, 1850W - boost 2100W Rear left: 180mm 1400W Rear right: 210mm, 1850W - boost 2100W Front right: 180mm, 1400W
Timer	End of cooking acoustic alarm
Ignition	Automatic electronic
Power	220-240 V 50/60Hz 32A
Safety	Pan detection Automatic cut-off Residual heat indicator Control lock Child safety
Supplied Accessories	None
Warranty	Two years parts and labour

ID190702

PIP364D
60CM INDUCTION COOKTOP



PLEASE NOTE: drawings are not to scale. They are to assist only.
 WARNING: technical specifications and product sizes can be varied by the manufacturer without notice.
 Cutouts for appliances should only be by physical product measurements. The above information is indicative only.