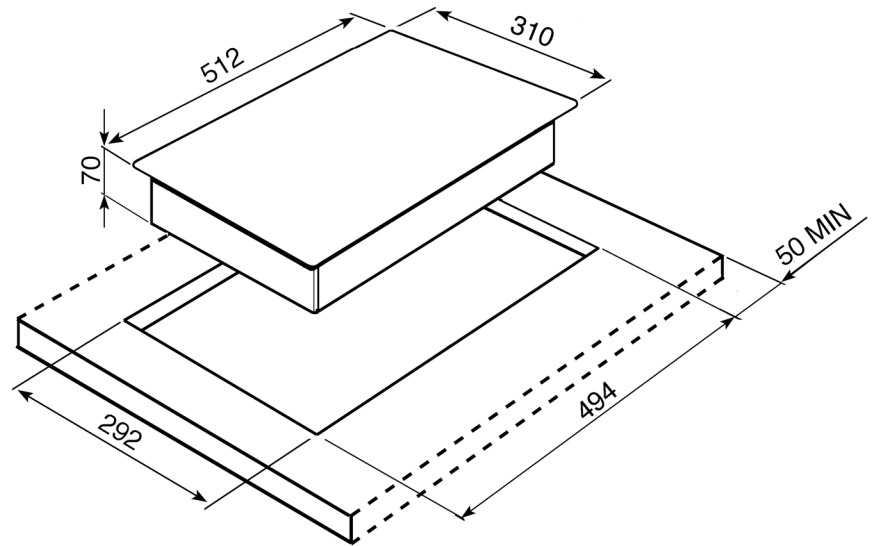


PGA32C

smeg 30cm ultra-low profile two-burner ceramic cooktop



finish	stainless steel, black ceramic
size	310mmW x 70mmH x 512mmD
cutout	292mmW x 494mmD
installation	topmount
thermostat	9 heat settings per zone
capacity	two zones — front: Ø140mm, 1200 watt rear: Ø180mm, 1800 watt
safety	residual heat indicators
power consumption	3000W, 12.5 amps
power	220–240V, 50/60Hz supplied with 15A plug and lead assembly
option	Linear control knobs supplied
warranty	two years parts and labour

**PLEASE NOTE: drawings are not to scale. They are to assist only.**