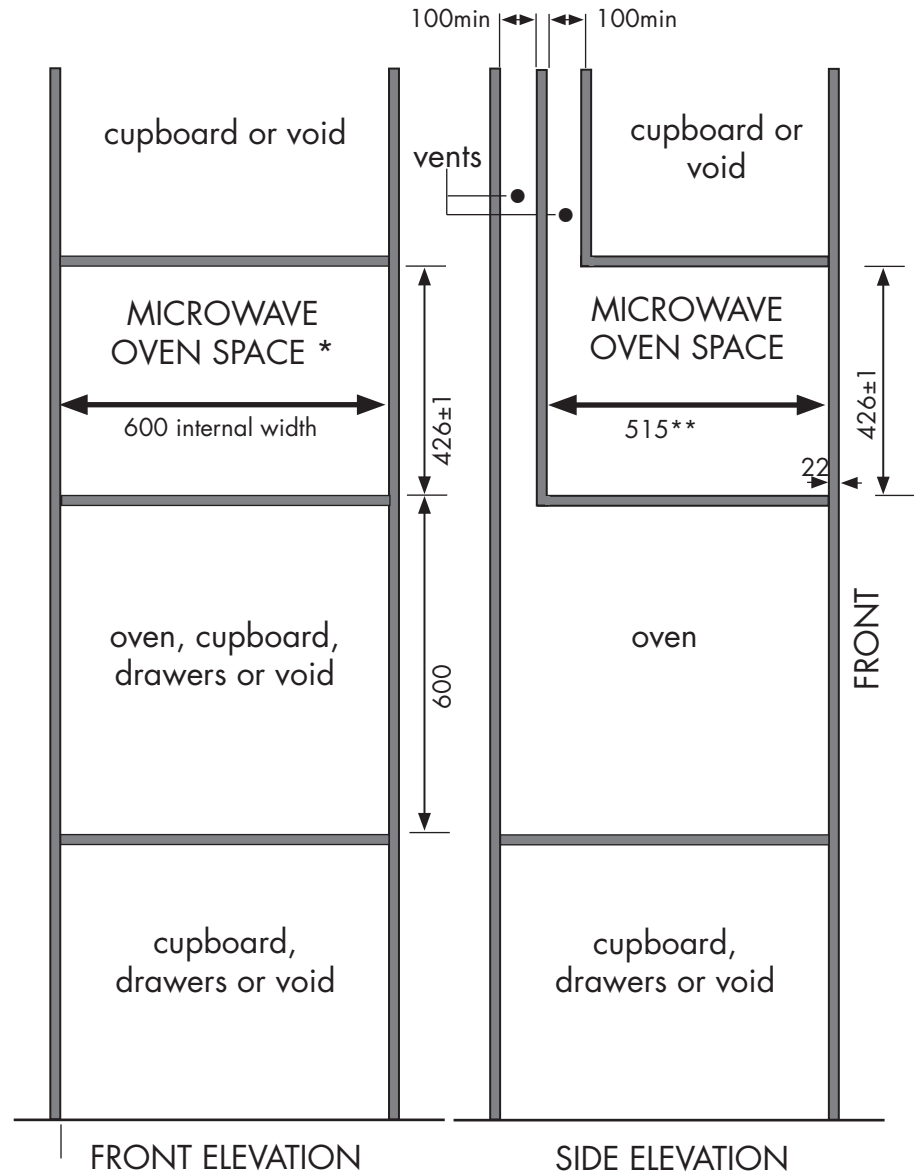
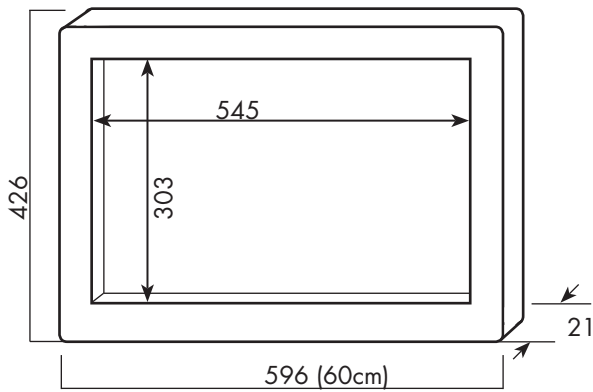


MTK60X34

SMEG TRIMKIT TO SUIT SA34MX, SAM34XI SAM34CXI

Trimkit to suit:
SA34MX, SAM34XI, SAM34CXI



PLEASE NOTE: The internal width of the microwave oven/convection microwave oven cabinet must be 60cm wide for the 60cm-wide trimkit

PLEASE NOTE: drawings are not to scale. They are to assist only.

WARNING: technical specifications and product sizes can be varied by the manufacturer without notice.

Cutouts for appliances should only be by physical product measurements. The above information is indicative only.

MTK60X34

SMEG TRIMKIT TO SUIT SA34MX, SAM34XI SAM34CXI

Underbench

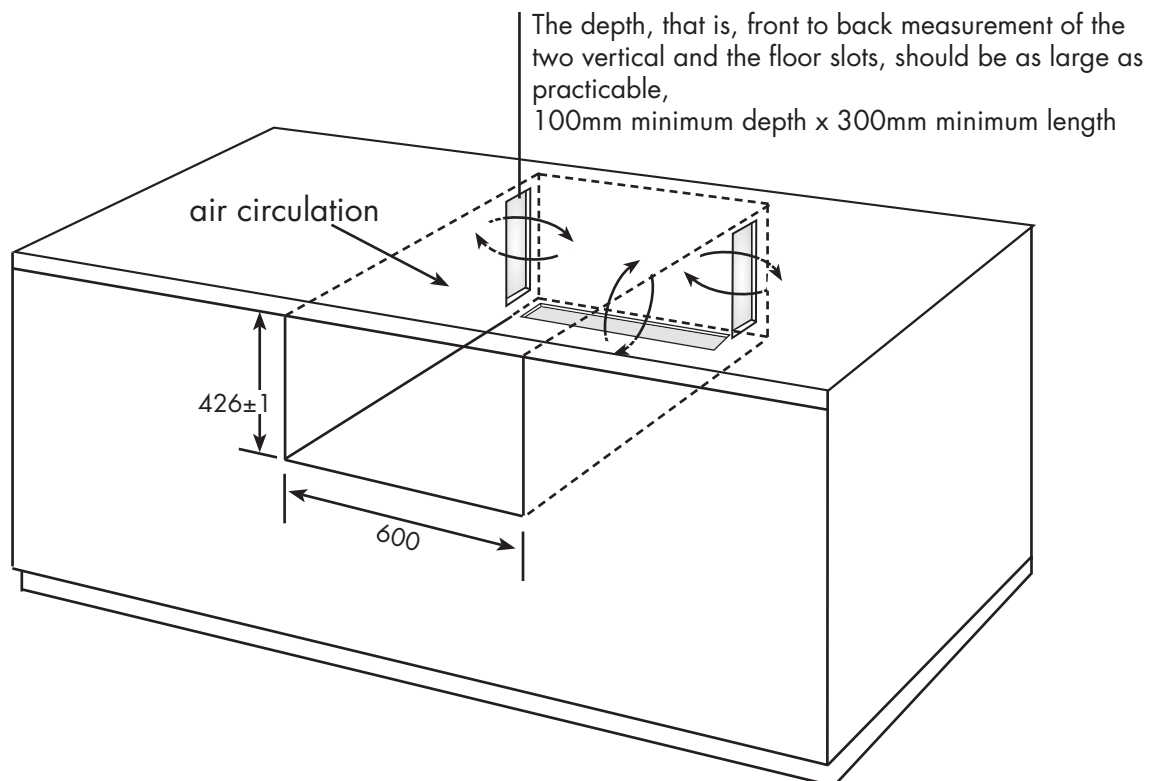
Microwave oven, convection microwave, oven underbench mounting with trimkit

Microwave ovens and convection microwave ovens are venting cooking appliances. They must be able to 'breathe', otherwise their purpose, performance and longevity are compromised.

A wall-mounted microwave unit, with an accompanying trimkit, can vent to the front via designed gaps in the trimkit but most of the venting is actually done through the venting channel created at the rear of the kitchen cabinet.

A freestanding microwave oven, that is, sitting on an open kitchen bench or an open raised shelf, is perfectly able to vent and cool itself in this unrestrictive space.

An underbench-mounted microwave oven, particularly one installed with a trimkit, also needs to be able to exchange air in its immediate vicinity and cool itself. Since rear upward venting is impossible as the enclosed kitchen bench prohibits such venting, the air from at least one adjacent cabinet plus the air below the platform on which the microwave oven sits must be accessed. Simply ensure long, open slots or multiple round holes access the adjacent cabinetry through the rear side walls and floor of the microwave oven space. This venting will alleviate the possible sweating and overheating of the microwave oven. The more access to air the microwave unit has, the better its performance and the less damage to cabinetry due to heat and moisture.



PLEASE NOTE: drawings are not to scale. They are to assist only.

WARNING: technical specifications and product sizes can be varied by the manufacturer without notice.

Cutouts for appliances should only be by physical product measurements. The above information is indicative only.

ID170112