

# KSE110AP9 | smeg 110cm wallmount rangehood



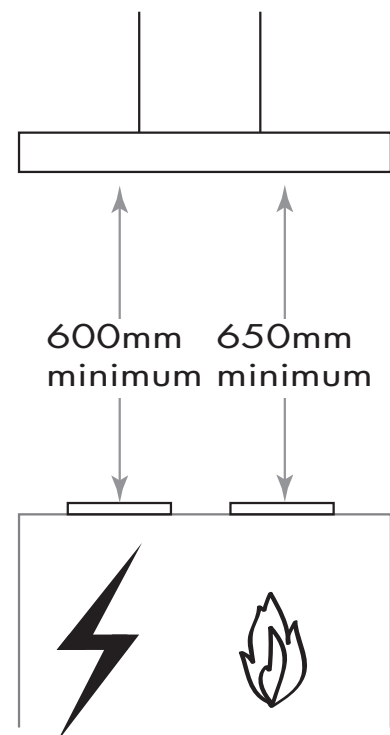
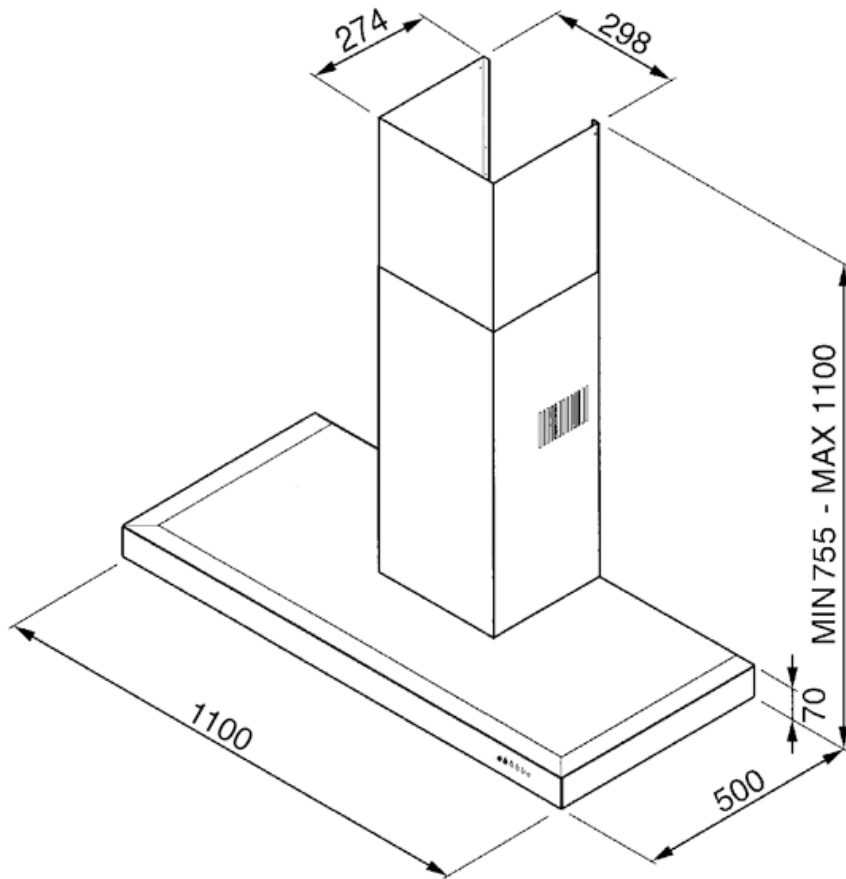
**EAN** | 8017709183820

finish	cream enamel
dimensions	1100mmW x 500mmD x 755mmH min – 1100mmH maximum
installation	wallmount
motor	1 x 215W
air extraction	duct direct to atmosphere or recirculate to kitchen (upper chimney vented for optional recirculation)
capacity	255–665m <sup>3</sup> /hr max airflow
noise rating	44–68 dBA maximum
illumination	2 x 20W halogen
speeds	four — automatic switch-off) (10 minute timer) for each speed
power supply	220–240V, 50–60Hz 1.6m standard 10A GPO
supplied	3 x stainless steel grease filters
optional	charcoal filter
weight	23kg net, 27kg gross
package dimensions	470x1160x520

	extraction rate (IEC 61591) m <sup>3</sup> /hr	noise level (IEC 60704-2-13) dBA
speed 1	255	44
speed 2	333	51
speed 3	437	57
speed 4	665	68

**PLEASE NOTE: drawings are not to scale. They are to assist only.**

KSE110AP9 smeg 110cm wallmount rangehood



**PLEASE NOTE: drawings are not to scale. They are to assist only.**