

FAB REFRIGERATION

FAB28 50'S STYLE RETRO REFRIGERATOR



Finish	Pastel Blue, White, Blue, Black, Cream, Pink, Red, Silver, Pastel green, Lime green, Decorated / Special
Dimensions	600mmW x 1510mmH x 732mmD (includes handle)
Gross Capacity	Refrigerator: 222L Freezer: 26L Total: 248L

REFRIGERATOR

No. Shelves	3 x Quick chill glass 1 x Bottle rack 1 x Crisper cover
No. Drawers	1 x Crisper drawer
Lighting	LED

Inner Fridge door

No. Shelves	1 x shelf with transparent cover 2 x adjustable with wire support 1 x bottle shelf with wire support
-------------	--

Accessories	n/a
-------------	-----

FREEZER

No. Shelves	1 x internal compartment (NO shelf)
No. of drawers	n/a
Accessories	n/a
Defrost	n/a

Performance

Energy Consumption	246kWh/year
Star Rating	3.5 Star
Noise	39 dBA
Power	220-240V, 50Hz 10A (3-pin plug)
Warranty	2 years parts and labour



PERFECT BLEND OF ARTISTRY & FUNCTIONALITY

Like other timeless designs, the original Smeg FAB refrigerator is more than just a mere fridge. It's the focal point of the kitchen, bringing together unquestionable style and premium performance. Always evocative and eclectic, FAB fridges have become standard bearers for "Made in Italy" design all over the world with their inimitable blend of artistry and functionality.

QUICK CHILL GLASS ZONES

Each of the shelves in a Smeg refrigerator is made from Quick Chill tempered safety glass. The tempered safety glass has a passive cooling effect, helping to maintain temperature within the appliance during frequent use. It also aids in chilling your food and beverages more quickly.

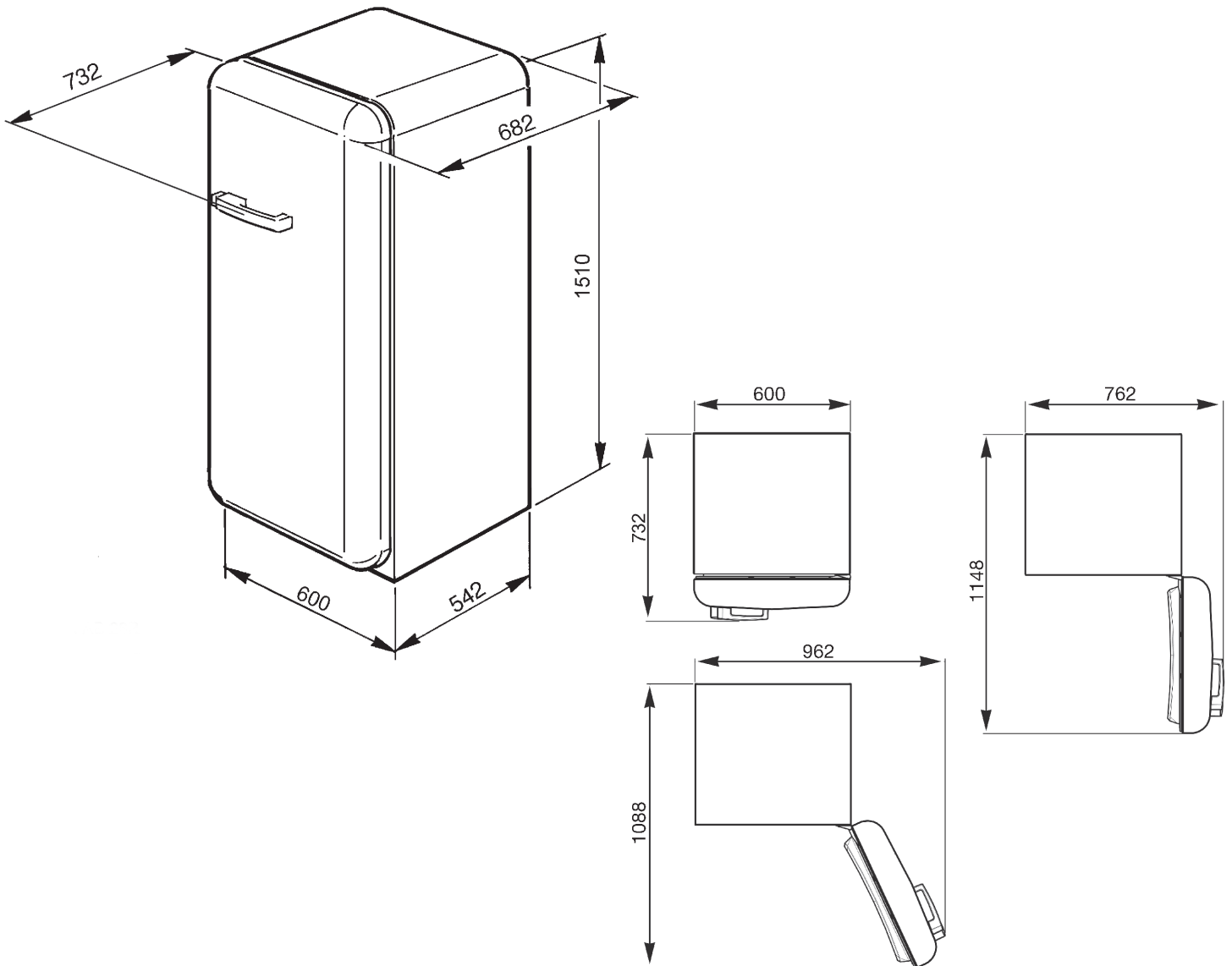
FRESH CARE CRISPER

A precise humidity control slider enables you to adjust the level of humidity in the crisper when required. More humidity, indicated by more water droplet symbols, helps to maintain the freshness of high water-content foods such as fruit and vegetables for longer.



FAB REFRIGERATION

FAB28
50'S STYLE RETRO REFRIGERATOR



PLEASE NOTE: drawings are not to scale. They are to assist only.
WARNING: technical specifications and product sizes can be varied by the manufacturer without notice.
Cutouts for appliances should only be by physical product measurements. The above information is indicative only.

ID190624

FAB REFRIGERATION

FAB28
50'S STYLE RETRO REFRIGERATOR



FAB28 Black
RH | FAB28RBKA1
LH | FAB28LNE1



FAB28 Silver
RH | FAB28ASR1
LH | FAB28LX1



FAB28 Panna (cream)
RH | FAB28RPA1
LH | FAB28LP1



FAB28 Red
RH | FAB28RRA1
LH | FAB28LR1



FAB28 White
RH | FAB28RB1
LH | FAB28LB1



FAB28 Pastel Pink
RH | FAB28RRO1
LH | FAB28LRO1



FAB28 Pastel Blue
RH | FAB28RAZ1
LH | FAB28LAZ1



FAB28 Royal Blue
RH | FAB28RBL1
LH | FAB28LBL1



FAB28 Mint Green
RH | FAB28RV1
LH | FAB28LV1



FAB28 Lime Green
RH | FAB28RVE1
LH | FAB28LVE1



FAB28 Yellow
RH | FAB28RG1
LH | FAB28LG1



FAB28 Orange
RH | FAB28RO1
LH | FAB28LO1



FAB28 Candy Stripe
RH | FAB28RCS1



FAB28 Australian Flag
RH | FAB28RAU1
LH | FAB28LAU1



FAB28 Italian Flag
RH | FAB28RIT1



FAB28 Union Jack
RH | FAB28RUJ1
LH | FAB28LUJ1



FAB28 Denim
RH | FAB28RDB



FAB28 Velvet
RH | FAB28RBV3
LH | FAB28LBV3



FAB28 Chocolate
RH | FAB28RCG1
LH | FAB28LCG1