

REFRIGERATION

**FAB10**  
50'S STYLE RETRO REFRIGERATOR



FAB10 Cream  
RH | FAB10HRP-1  
LH | FAB10HLP



FAB10 Black  
RH | FAB10HRNE-1  
LH | FAB10HLNE



FAB10 Red  
RH | FAB10HRR-1  
LH | FAB10HLR

Finish	Black, Red, Cream
Dimensions	543mmW x 960mmH x 632mmD (680mm including handle)
Gross Capacity	Refrigerator: 135L

REFRIGERATOR (Main Compartment)

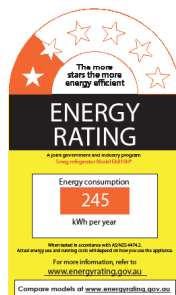
No. Shelves	2 x adjustable shelves
No. Drawers	0
Lighting	LED
Features	Climatic selector switch Adjustable thermostat Automatic defrost

REFRIGERATOR (Inner door)

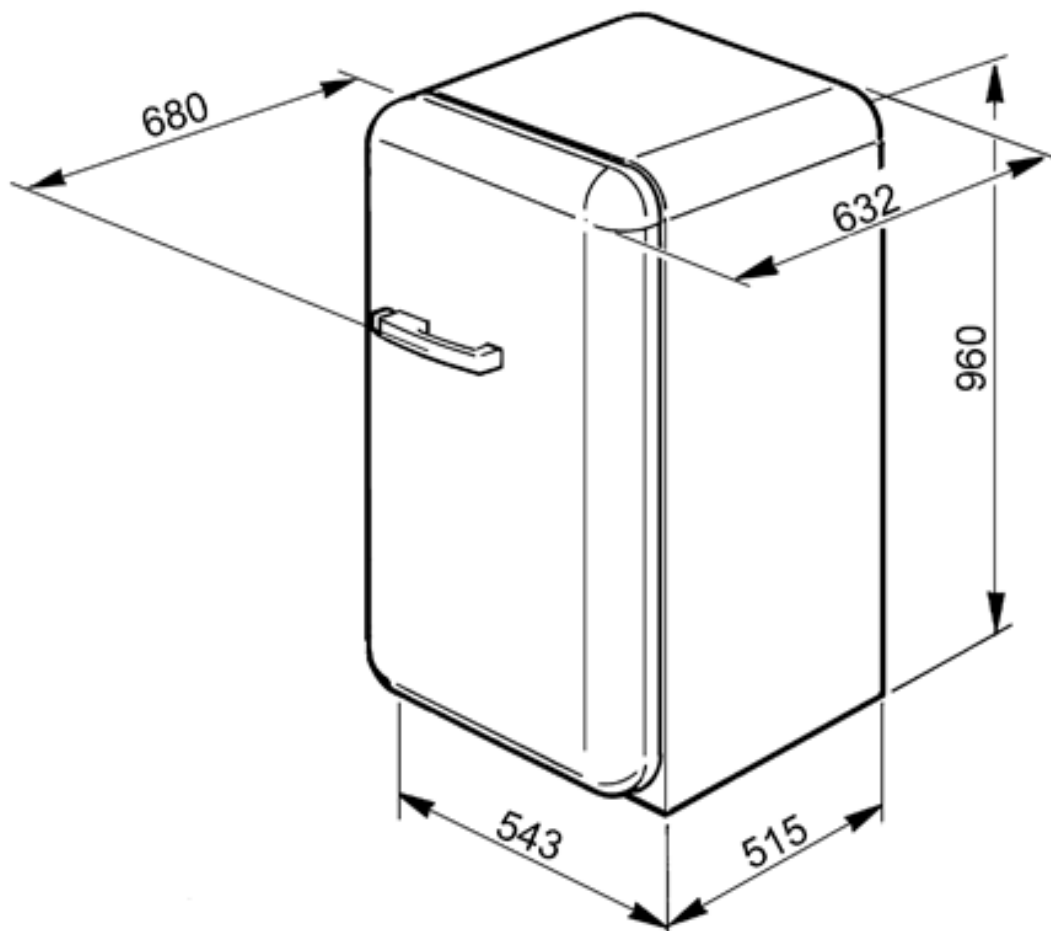
No. Shelves	1 x shelf with transparent cover 1 x bottle shelf 1 x dairy shelf
-------------	---

Performance

Power	220-240V, 50Hz 10A (3-pin plug)
Warranty	2 years parts and labour



**FAB10**  
50'S STYLE RETRO REFRIGERATOR



**PLEASE NOTE: drawings are not to scale. They are to assist only.**

WARNING: technical specifications and product sizes can be varied by the manufacturer without notice. Cutouts for appliances should only be by physical product measurements. The above information is indicative only.