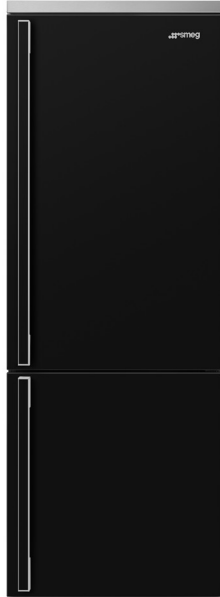


PORTOFINO REFRIGERATION

FA490 PORTOFINO REFRIGERATOR



DOUBLE ZONE ELECTRONIC TEMPERATURE CONTROL

The digital electronic control panel at the top of the fridge provides accurate temperature monitoring in both the fridge and freezer compartments to ensure the long life of perishable food. With three functions: ECO, fast freezing and temperature alarm, the FAB38 optimises freshness and reduces food waste. FUNCTIONS: ECO, Fast freezing, & Temperature alarm

MULTI-COOLING NO FROST TECHNOLOGY

Thanks to the no frost system you won't have to manually defrost the freezer as cool air is circulated inside to prevent any icy build ups and maximise storage capacity.

LIFE PLUS 0°C DRAWER

This chilling drawer provides a controlled temperature zone for better and longer preservation of perishable food such as meat, fish, fruit and vegetables and dairy products.

Finish	Anthracite, Black, White, Red, and Stainless Steel
Dimensions	704mmW x 1955mmH x 749mmD (includes handle)
Gross Capacity	Refrigerator: 355L Freezer: 155L Total: 510L

REFRIGERATOR

No. Shelves	3 x Quick chill glass
No. Drawers	1 x Crisper drawer 1 x Life Plus 0°C Drawer
Lighting	LED

Inner Fridge Door)

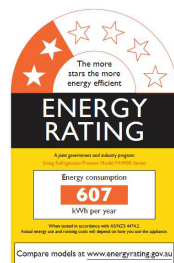
No. Shelves	3 x Adjustable glass shelves 1 x Bottle glass shelf
-------------	--

FREEZER

No. Shelves	2 x Glass shelves
No. of drawers	2 x plastic drawers
Accessories	1 x Fast freezing compartment
Defrost	Total Frost Free

Performance

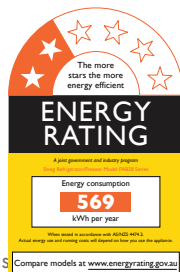
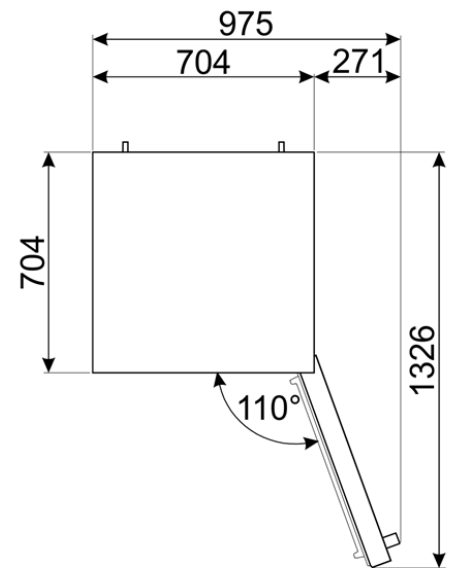
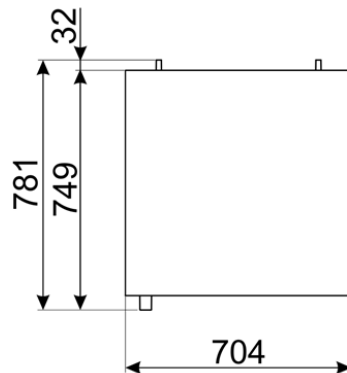
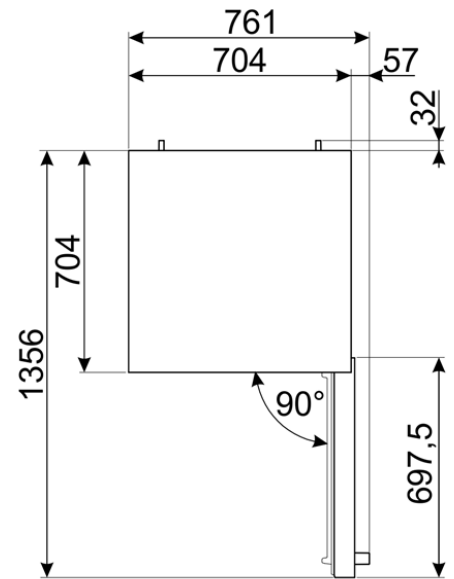
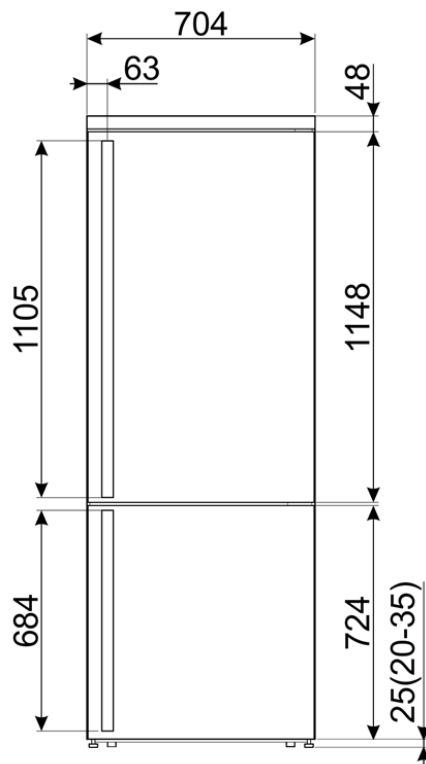
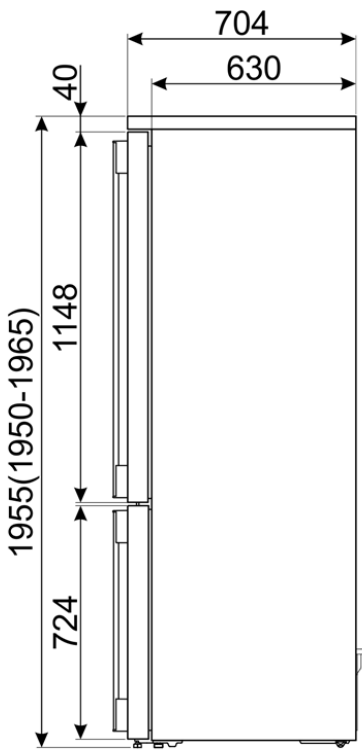
Energy Consumption	607kWh/year
Star Rating	2 Star
Noise	42 dBA
Power	220-240V, 50/60Hz 10A (3-pin plug)
Warranty	5 years parts and labour



ID210312

PORTOFINO REFRIGERATION

FA490
PORTOFINO REFRIGERATOR



PLEASE NOTE: drawings are not to scale. They are to assist in the selection of a suitable cutout for the appliance.
WARNING: technical specifications and product sizes can be varied by the manufacturer without notice.
Cutouts for appliances should only be by physical product measurements. The above information is indicative only.

PORTOFINO REFRIGERATION

FA490
PORTOFINO REFRIGERATOR



FA490RANAU
Anthracite



FA490RBLAU
Black



FA490RWHAU
White



FA490RRDAU
Red



FA490RXAU
Stainless Steel