

DWIFABNE-1 smeg built-in dishwasher, RETRO design



30cm
maximum
plate
diameter

EAN 8017709184063

size	598mmW x 818-868mmH x 630mmD (including handle)
capacity	14 placesettings
finish	black, cream or red FAB retro door
programs	five normal programs — soak, normal ECO, ECO, Auto 60-70°C, Super
wash temperatures	38, 45, 50, 65, 70°C
baskets	colour co-ordinated basket, racks, handles upper: 3-level adjustment, EasyGlide lower: double tilting rack
wash system	orbital, upper spray arm, six wash directions
drying	natural condenser
timer	1-9 hour delay timer
filtration	5-stage water filtration system
safety	TOTAL ACQUASTOP LED on/off light end-cycle acoustic indicator self-balancing hinges
noise	43 dBA (when installed)
water	12.6 litres
power	1.9 kWh, 10 amps 230-240V, 50Hz

ORBITAL WASH SYSTEM

Smeg's orbital wash system has two spray arms which operate simultaneously in opposite directions to ensure water is evenly distributed throughout the inner cavity for a perfect wash.

DELAY START TIMER

Delay Start option allows for up to 9-hours delay start — allowing you to take advantage of off-peak energy usage times.

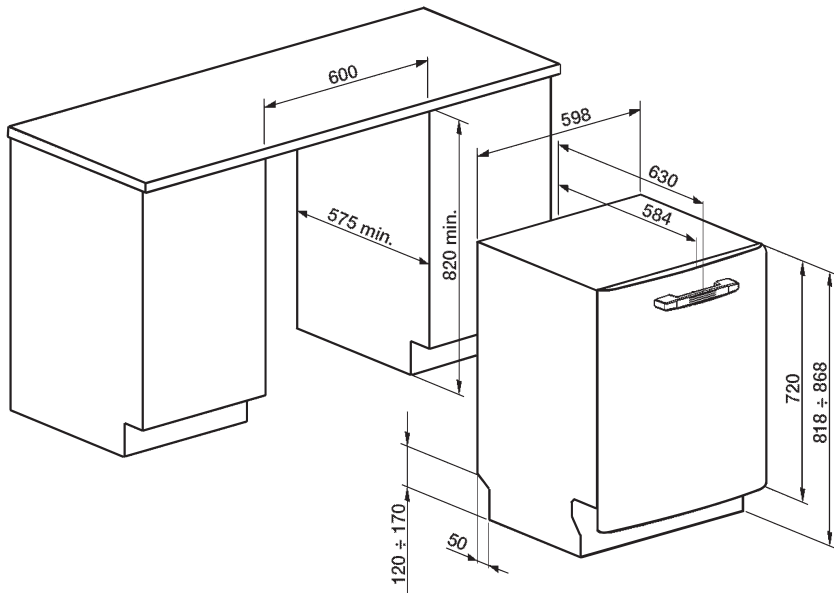
TOTAL ACQUASTOP

Acquastop is a water safety device that operates when the dishwasher is not in operation by restricting mains pressure at the tap, and not at the dishwasher.

AQUATEST

Aquatest uses a turbidity sensor to measure suspended solids in water. This system ensures minimum water and energy consumption, regardless of the level of soiling.









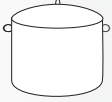
SAVE ON ENERGY AND PROTECT THE ENVIRONMENT

- ◆ always try to run the dishwasher fully loaded
- ◆ do not wash dishes in running water
- ◆ use the washing program that is most appropriate for each type of load
- ◆ do not carry out any preliminary rinsing
- ◆ if available, connect the dishwasher to a hot water supply up to 60°C

The phosphates contained in dishwasher detergents are harmful to the environment. To avoid using excessive amounts of detergent and to save on electricity, observe the following:

- ◆ separate the more delicate items from dishes that are more resistant to aggressive detergents and high temperatures;
- ◆ do not pour the detergent directly onto the dishes.

PLEASE NOTE: drawings are not to scale. They are to assist only.

PROGRAM	LOAD	PROGRAM PROGRESS	DURATION	CONSUMPTION	
			minutes	water litres	power kWh
SOAK	 pans and dishes awaiting completion of load	cold prewash	15	3.5	0.02
NORMAL ECO	 crockery and cutlery normally soiled	cold prewash wash at 45°C rinse at 45°C dry	147	12.6	0.71
ECO	 dishes with normal dirt, with dried-on residue	cold prewash wash at 55°C cold rinse rinse at 70°C dry	100	11	1.3
AUTO 60-70	 dishes with normal dirt, with dried-on residue	cold prewash wash at 65°C cold rinse rinse at 70°C dry	When the AUTO program is selected, the dishwasher recognises the type of dirt and automatically adjusts the washing parameters as appropriate		
SUPER	 very dirty pans and dishes, with dried-on residue	hot prewash wash at 70°C cold rinse (2) rinse at 70°C dry	155	15.5	1.60