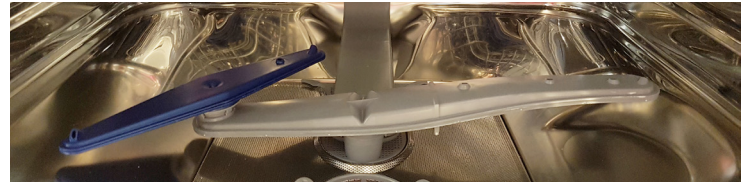


DWA6315X3 SMEG STAINLESS STEEL FREESTANDING DISHWASHER



ORBITAL WASH SYSTEM

Smeg's orbital wash system has a major spray arm and satellite spray arm which spins ten times for every single revolution of the major spray arm to ensure water is thoroughly distributed in-between every piece in the wash for exceptional results.



SmartDry (Energysave)

Smeg has developed a unique automatic door-opening system, which you can select as an option to open the door slightly at the end of the wash program. The open door allows steam from the wash to escape, reducing condensation and the residual heat of the machine allows the wash to dry naturally and thoroughly, without the consumption of additional energy.



EAN 8017709297121

| | |
|------------------------|------------------------------------------------------------------------------------------------------------------------------------------------|
| Size | 598mmW x 600mmD x 850mmH |
| Capacity | 15 place settings |
| Finish | Stainless Steel + silver panel |
| Display | LCD |
| Programs | 5 + 5 Quick Programs |
| End of cycle indicator | On display, with acoustic signal |
| Baskets | 3 Levels |
| Wash system | Orbital Wash System |
| Water softener | Yes |
| Temperatures | 38°, 43°, 50°, 55°, 60°, 65°, 70°C |
| Features | Quicktime wash setting for each program ½ Load FlexiZone FlexiTabs Fully adjustable upper and middle baskets Self Balancing Hinges |
| Water connection | Hot or cold Water Connection (60°C Max) |
| Timer | Up to 24 hours, with automatic soak |
| Filtration | Stainless steel 5 stage filter |
| Drying | Natural condenser drying with SmartDry (Energysave) |
| Safety | Child safety system (door lock) Active Acquastop |
| Noise | 49dBA |
| Water usage | 9.9 Litres |
| Power | 1800W 220-240V 50 Hz 10A |
| Warranty | Two years parts and labour |

ACTIVE ACQUASTOP

Active Acquastop electronically determines when and how much water to let into the dishwasher, automatically controlling the water feed at the tap. It's a major advantage of a Smeg dishwasher, because there is no water in the hose and therefore no building water pressure, where problems most often occur. Active Acquastop is one of five distinctive water safety and flood prevention features in all Smeg dishwashers.

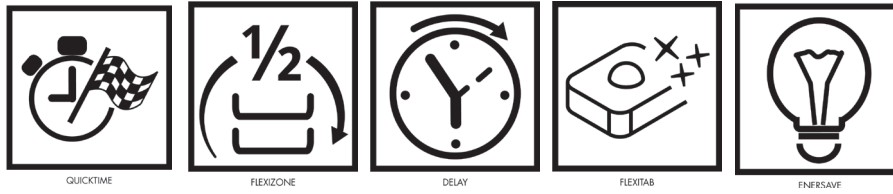
AQUATEST

Smeg's Aquatest is a turbidity sensor which measures solids suspended in water and adjusts the water flow in the dishwasher according to the amount of soiling. This saves both water and energy, whilst ensuring a thorough clean for every wash.



DISHWASHERS

Functions



QUICKTIME

FLEXIZONE

DELAY

FLEXITAB

FNFSAVE

Programs



RAPID 27

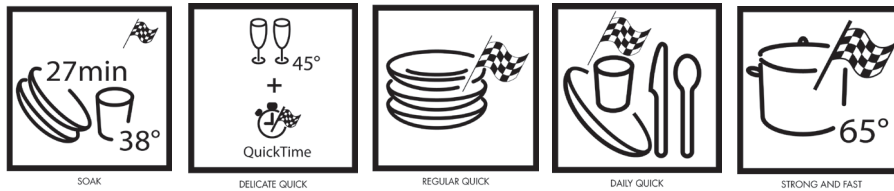
NORMAL ECO

REGULAR

AUTO 60/70

ULTRA CLEAN

Quick Programs



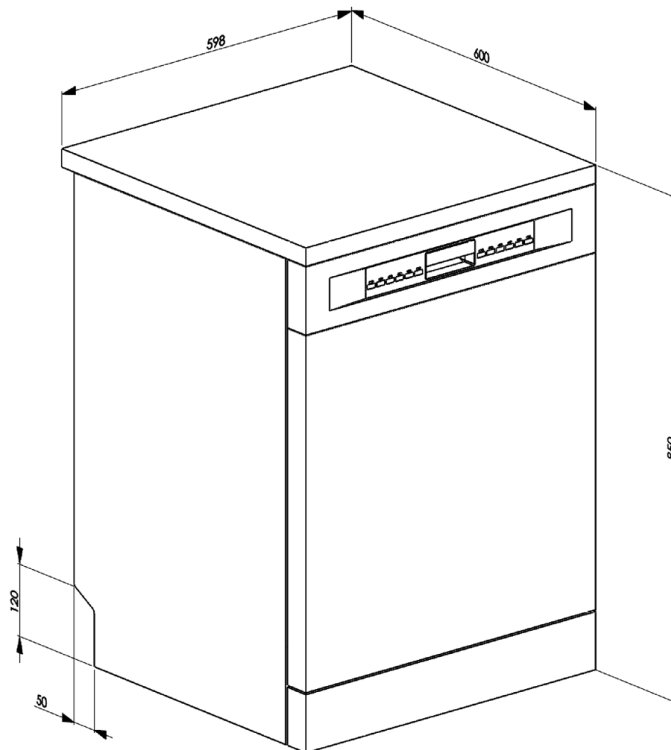
SOAK

DELICATE QUICK

REGULAR QUICK

DAILY QUICK

STRONG AND FAST



PLEASE NOTE: drawings are not to scale. They are to assist only.

WARNING: technical specifications and product sizes can be varied by the manufacturer without notice.

Cutouts for appliances should only be by physical product measurements. The above information is indicative only.