

FREESTANDING COOKERS

CS90GMXA
90CM FREESTANDING COOKER



THERMOSEAL

The seal of Smeg's quality, technical excellence and taste: succulent roasts, crisp pastry and impressive baking is achieved in Smeg's unique, perfectly controlled cooking environment. Thermoseal maintains the perfect atmospheric balance in the cavity for optimum cooking conditions.



EVER CLEAN ENAMEL

The superior quality of Smeg's patented Ever Clean enamel, which is highly durable and easy to clean, is the result of nearly 70 years of enameling expertise; ensuring long-life performance of every Smeg oven.



VAPOUR CLEAN

Smeg's Ever Clean enamel's tough surface has a glassy finish, so a simple spray of water and detergent around the cavity in conjunction with the Vapour Clean option will generate heat and steam to soften any grease for a wipe-clean result.

EAN 8017709224622

Dimensions	900mmW x 872-912mmH x 600mmD
Finish	Stainless steel, Eclipse high visibility black glass
Installation	Freestanding
Display	None

Main oven

Capacity	126L
Total functions	6
Door glass	Triple glazed door
Cooking levels	5
Thermostat	50-260°C
Programmability	Countdown timer
Cleaning	Vapour Clean
Lighting	2 x 40W halogen
Safety	Thermal protection
Supplied accessories	2 x Chrome wire shelf 1 x 40mm enamelled baking tray
Optional accessories	GT1P-1 - Partial telescopic guides GT1T-1 - Total telescopic guides
Power	220-240V, 50/60Hz 3200W 15A Connection
Warranty	Two years parts and labour

Gas hob

Capacity	6 Burners
	Front left (wok) 15.2 MJ/hr Rear left 3.9 MJ/hr Front centre 3.9 MJ/hr Rear centre 7.5 MJ/hr Front right 7.5 MJ/hr Rear right 12 MJ/hr
Gas input	Set for natural gas, regulator supplied, adapt for ULPG, no regulator required
Safety	Flame failure device fitted to each burner
Supplied accessories	1 x Coffee pot stand 1 x Cast iron wok support

FREESTANDING COOKERS

CS90GMXA
90CM FREESTANDING COOKER

Functions



BAKERS
FUNCTION



CONVECTION



FAN
ASSISTED



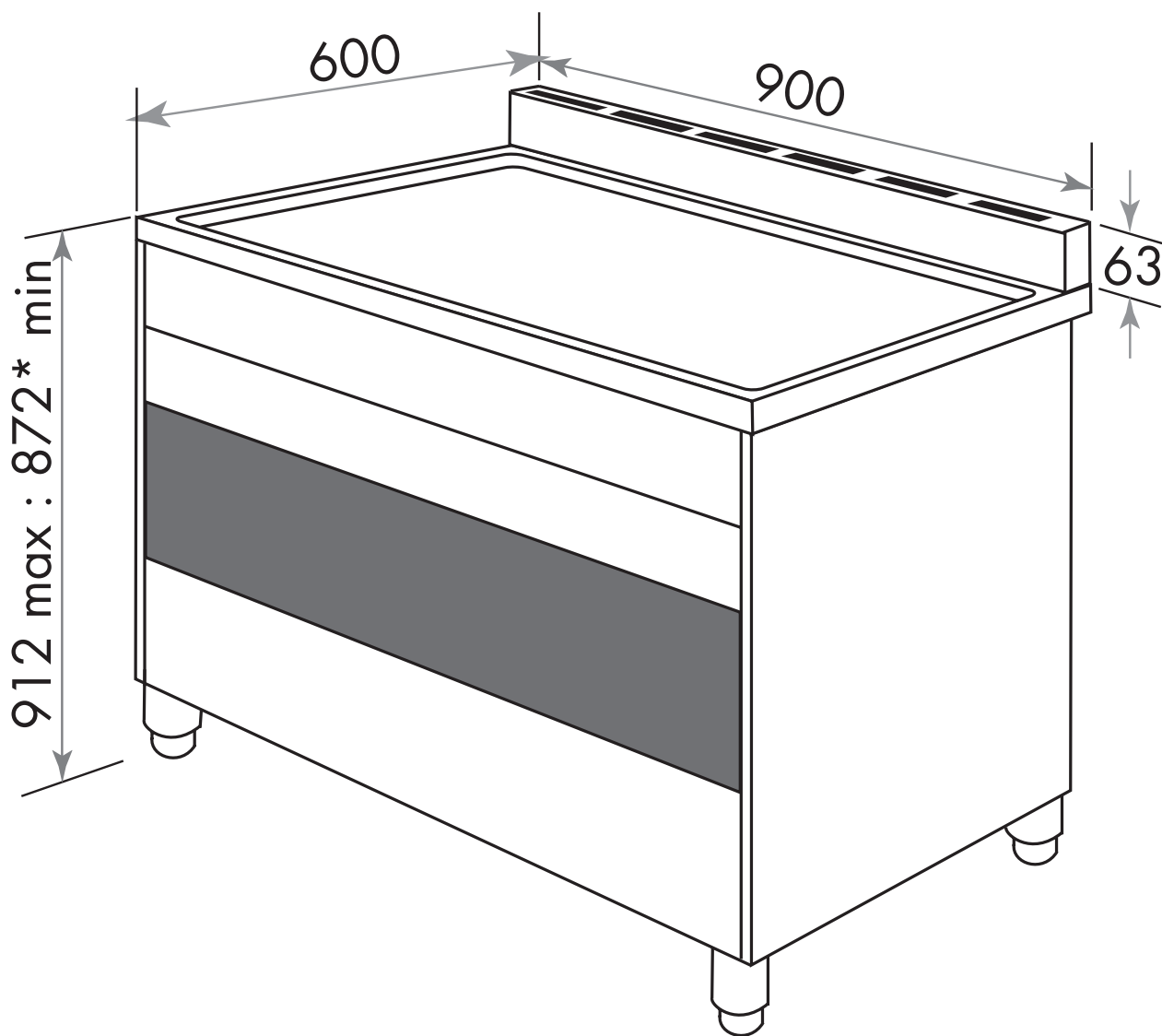
FAN
FORCED



FAN
GRILL



GRILL



PLEASE NOTE: drawings are not to scale. They are to assist only.

WARNING: technical specifications and product sizes can be varied by the manufacturer without notice.

Cutouts for appliances should only be by physical product measurements. The above information is indicative only.

ID170712