

CMS4104S

45CM LINEA BUILT IN COFFEE MACHINE

MADE IN ITALY
Since 1948



Dimensions	595mmW x 455mmH x 470mmD
Finish	Silver Stopsol Glass
Display	4,3" TFT colour soft touch
Warranty	Two years parts and labour

Colours Available



CMS4104N
Black



CMS4104S
Silver

VARIABLE BAR PRESSURE

This coffee machine uses a 15-bar pump pressure, which concentrates beans at an optimal level to give your brews a rich taste and a perfect crema. Prepare 14 different types of coffee from the comfort of your own home.

4-INCH COLOUR DISPLAY WITH INTUITIVE MENU

The TFT colour touch user interface offers over 50 drink combinations and a variety of customisable settings - including temperature, length, intensity and grind. With the ability to create up to 10 user profiles, your favourite coffee is available at the touch of a button.

THERMAL MILK FLASK

The new stainless steel thermal flask allows you to create the perfect velvety foam. Achieve professional standard results with the easy-to-use dial that sets the ideal consistency of milk foam for a real Italian cafe experience.

WARMING RACK

Pre-warm your cups and keep your delicious coffee hot for longer in the Linea coffee machine. The cup warmer has ample storage space to hold four coffee cups in each of its 2 drawers conveniently located on the side of the machine.

INCREASED BEAN AND WATER CAPACITY

With an increased capacity for both coffee beans and water, the Linea coffee machine produces more delicious coffee than ever before. The aroma of real espresso, the taste of a creamy cappuccino, or a delicious latte, all prepared in the convenience of your own kitchen.



CMS4104S

45CM LINEA BUILT IN COFFEE MACHINE

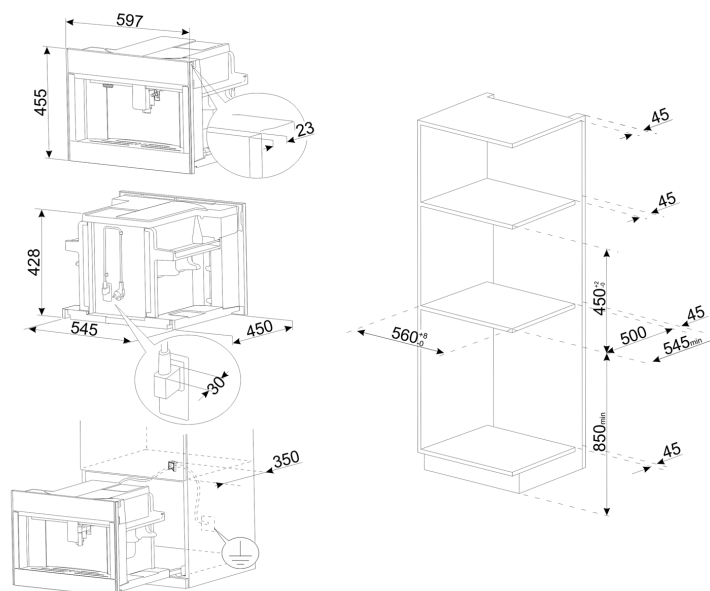
MADE IN ITALY
Since 1948

COFFEE MACHINE FEATURES

Dimensions	595mmW x 455mmH x 470mmD
Finish	Silver Stopsol Glass
Display	4,3" TFT colour soft touch
Thermostat	3 x Adjustable temperatures
Pump Pressure	15 bar
Coffee Bean Capacity	350g
Coffee grinding	13 levels
Water tank capacity	2.4L
Installation	Built-in
Functions	Fully automatic coffee preparation Automatic cappuccino maker, with adjustable froth Ground coffee option Hot water function (tea or other hot drinks) Rinsing function
Programmability	5 Preset coffee strengths: single or double shot extra light, light, medium, strong, extra strong 5 Variable coffee lengths: short/espresso, medium, long
Cleaning	Automatic descaling
Lighting	4 x LED
Safety	Thermal protection
Power	220-240V, 50/60 Hz 1350W 5.6A connection
Warranty	Two years parts and labour

SUPPLIED ACCESSORIES

1 x Removable milk jug



CMS4104S

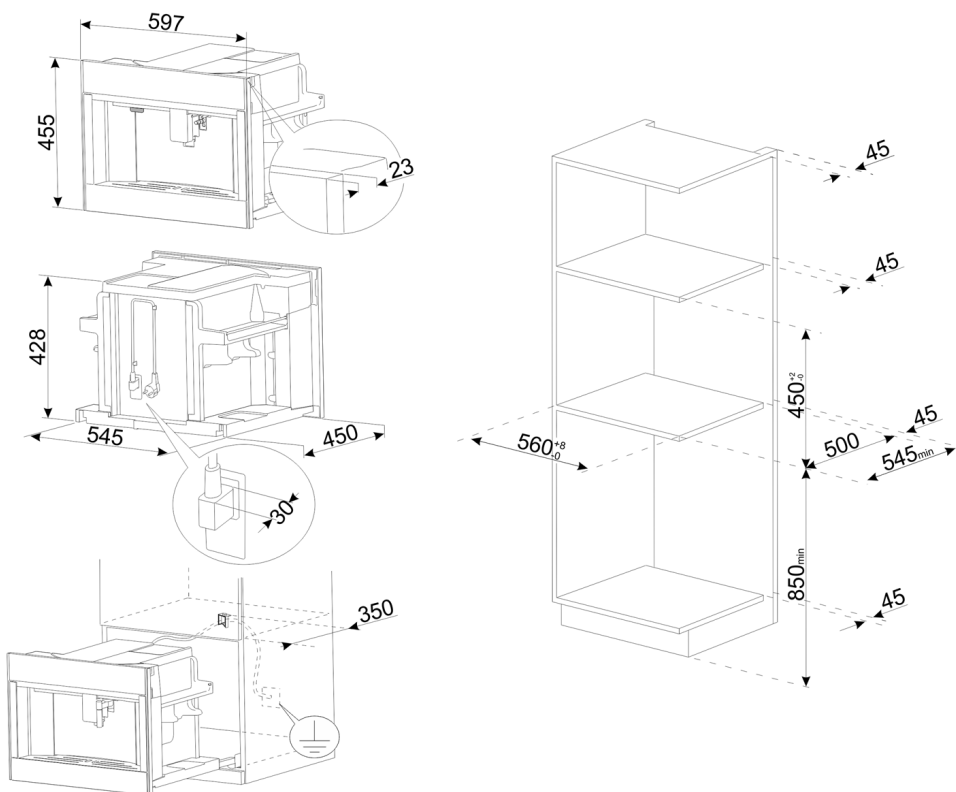
45CM LINEA BUILT IN COFFEE MACHINE

MADE IN ITALY

 Since 1948



Dimensions	595mmW x 455mmH x 470mmD
Power	220-240V, 50/60 Hz 1350W 5.6A connection
Warranty	Two years parts and labour



WARNING: technical specifications and product sizes can be varied by the manufacturer, without notice. Cutouts for appliances should only be by physical product measurements. The above information is indicative only.